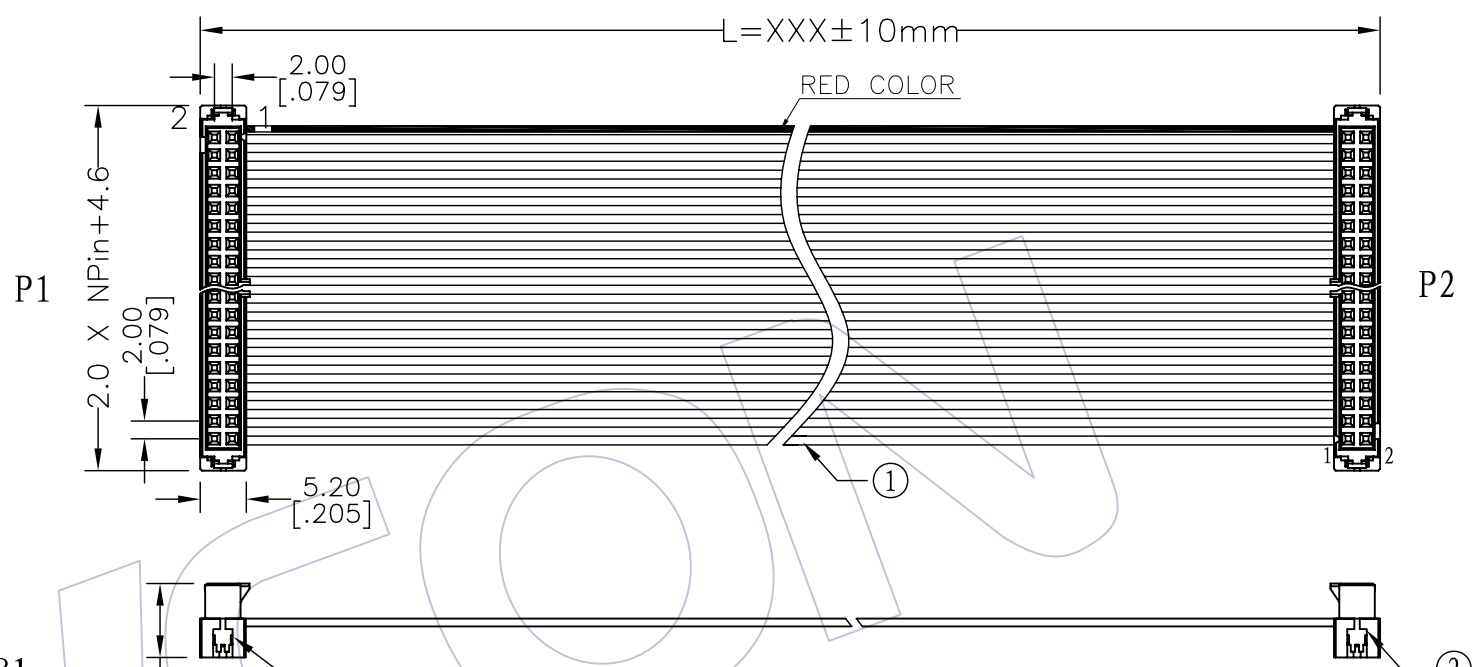


# HSF

IDC HOUSING MATERIAL  
 Insulation Material:PBT+30%GF(UL94V-0)  
 Contact Material:Phosphor Bronze  
 Contact plating:Au or Sn Over Ni

SPECIFICATIONS  
 Insulation Resistance:5MΩ Min  
 Contact Resistance:1.0Ω Max  
 Withstand Voltage:DC 300V, 10S  
 The Cable Assembly Must 100% Test

CABLE MATERIAL  
 Insulation:UL 2651,Grey Red Side  
 Conductor:28AWG(7/0.12mm)  
 Electrical:300V



## Ordering Information

FA22 - xx xx A B B xxx - 81

No.OF Pins  
04-64p

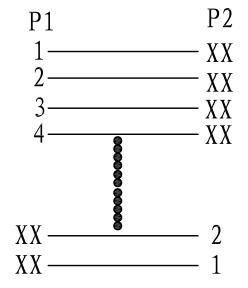
Contact Plating:  
 G0=Gold Flash  
 G3=10u"Gold  
 G4=15u"Gold  
 G5=30u"Gold  
 S0=Gold Flash/Ni  
 S3=10u"Gold/Ni  
 S4=15u"Gold/Ni  
 S5=30u"Gold/Ni  
 SN=Tin

Connector Direction:  
 A=same Direction

Connector Color:  
 B=Black

Length of Line(mm)

### CONNECT METHOD



②	5223-XXYPXXBW01	CONN.	2.00 IDC **P T TYPE PBT Black Phosphor Bronze Plating Xu"	2	SET
①	F1U-B28GXXD0-XXXX-1	WIRE	UL2651 PH1.0mm XXP 28AWG(7/0.12TC) PVC Grey Marking Red Side	XXXX	MM
NO.	PART NO.	NAME	TITLE	QT'Y	UNIT

						OPERATION	DRAW	BEN	09/08/27	SCALE	1:1	<b>WCON</b> 维峰五金电子有限公司 WAFE HARDWARE ELECTRONICS CO. LTD		
						X.X ±0.40	DESIGN			UNIT	mm			
						X.XX ±0.25	CHECK			SIZE	A4		PART NO.	FA22 -xxxxABBxxx- 81
						X.XXX ±0.15	APPROVE			SHEET	1/1		TITLE:	2.00 T TYPE IDC Drawing
AO	09/08/27	NEW				Angle ± 3'				PROJ.	☞		Customer NO.	
REV	DATE	MODIFICATION DESCRIPTION	CHANGE	APPROVE		DIM TOL								