

# HSF

## HOUSING MATERIAL

Insulation Material:PBT+30%GF(UL94V-0)

Contact Material:Phosphor Bronze

Contact plating:Au or Sn Over Ni

## SPECIFICATIONS

Insulation Resistance:5MΩ Min

Contact Resistance:1.0Ω Max

Withstand Voltage:DC 300V

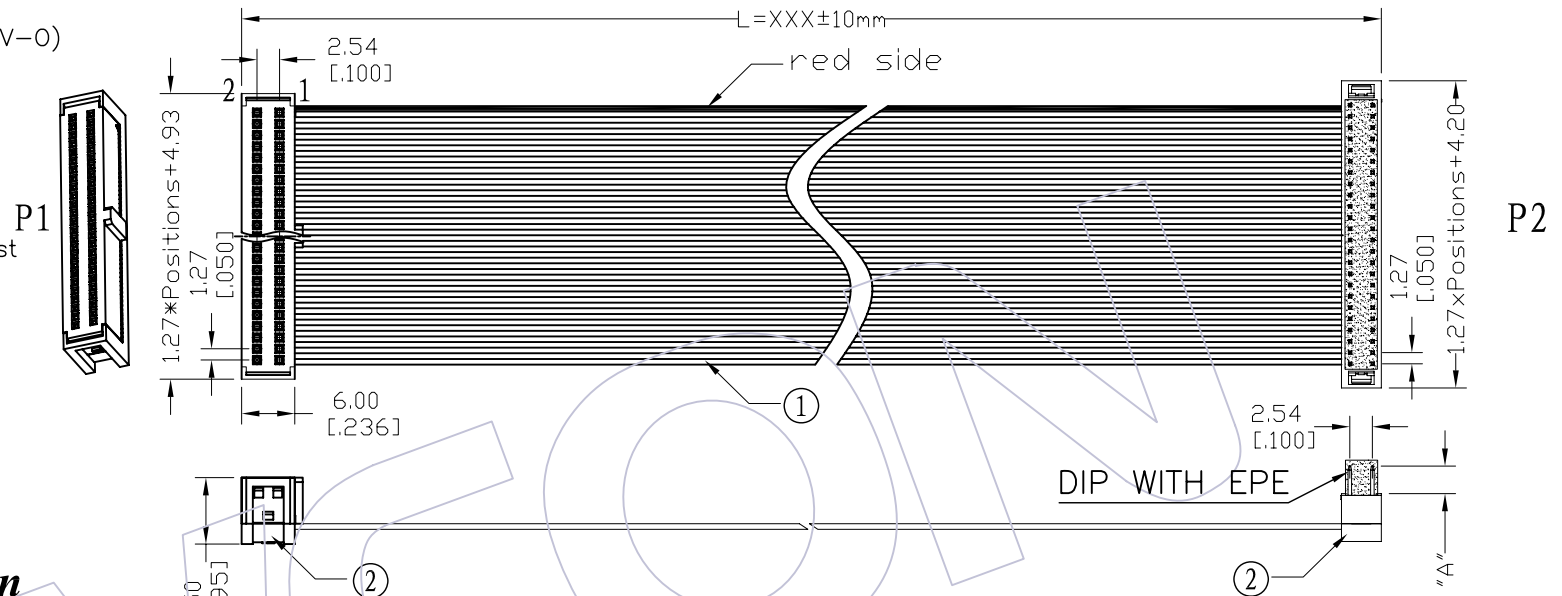
The Cable Assembly Must 100% Test

## CABLE MATERIAL

Insulation:UL 2678,Grey Red Side

Conductor:30AWG(7/0.102mm)

Electrical:300V



## Ordering Information

FB42 - xx xx F A B xxx - 02

No. OF Pins  
06~80p

Contact Plating:

G0=Gold Flash

G3=10u"Gold

G4=15u"Gold

G5=30u"Gold

S0=Gold Flash/Ni

S3=10u"Gold/Ni

S4=15u"Gold/Ni

S5=30u"Gold/Ni

SN=Tin

Connector Color:

B=Black

Connector Direction:

F=Same Direction

Length of Line(mm)

## CONNECT METHOD

|    |    |
|----|----|
| P1 | P2 |
| 1  | 1  |
| 2  | 2  |
| 3  | 3  |

|    |    |
|----|----|
| XX | XX |
| XX | XX |

| PART NO.      | DIM"A" |
|---------------|--------|
| 5340-XXPXXB01 | 3.10   |
| 5340-XXPXXB02 | 1.90   |

| NO. | PART NO.            | NAME  | TITLE  | QTY  | UNIT |
|-----|---------------------|-------|--|------|------|
| ③   | 5340-XXPXXB0X       | CONN. | 1.27*2.54 DIP **P PBT Black Phosphor Bronze Plating Xu" gold           | 1    | SET  |
| ②   | 5242-XXYPXXBW01     | CONN. | 1.27*2.54 IDC **P PBT Black With Bump Phosphor Bronze Plating Xu" gold | 1    | SET  |
| ①   | F3U-A30GXXD0-XXXX-1 | WIRE  | UL2678 PH0.635mm XXP 30AWG(7/0.102TC) PVC Grey Marking Red Side        | XXXX | MM   |

| REV | DATE     | MODIFICATION DESCRIPTION | CHANGE | APPROVE | OPERATION   | DRAW    | BEN | 09/08/20 | SCALE | 1:1 | WCON 维峰五金电子有限公司<br>WAVE HARDWARE ELECTRONICS CO. LTD |                       |
|-----|----------|--------------------------|--------|---------|-------------|---------|-----|----------|-------|-----|--|-----------------------|
| AO  | 09/08/20 | NEW                      |        |         | X.X ±0.40   | DESIGN  |     |          | UNIT  | mm  | PART NO.   | FB42 -xxxxFABxxx- 02  |
|     |          |                          |        |         | X.XX ±0.25  | CHECK   |     |          | SIZE  | A4  | TITLE:   | 1.27*2.54 IDC Drawing |
|     |          |                          |        |         | X.XXX ±0.15 | APPROVE |     |          | SHEET | 1/1 | Customer NO.   |                       |
|     |          |                          |        |         | Angle ± 3'  |         |     |          | PROJ. | ↻   |  |                       |
|     |          |                          |        |         | DIM TOL     |         |     |          |       |     |  |                       |