

HSF

IDC HOUSING MATERIAL

Insulation Material:PBT+30%GF(UL94V-0)

Contact Material:Phosphor Bronze

Contact plating:Au or Sn Over Ni

SPECIFICATIONS

Insulation Resistance:5MΩ Min

Contact Resistance:1.0Ω Max

Withstand Voltage:DC 300V, 10S

The Cable Assembly Must 100% Test

CABLE MATERIAL

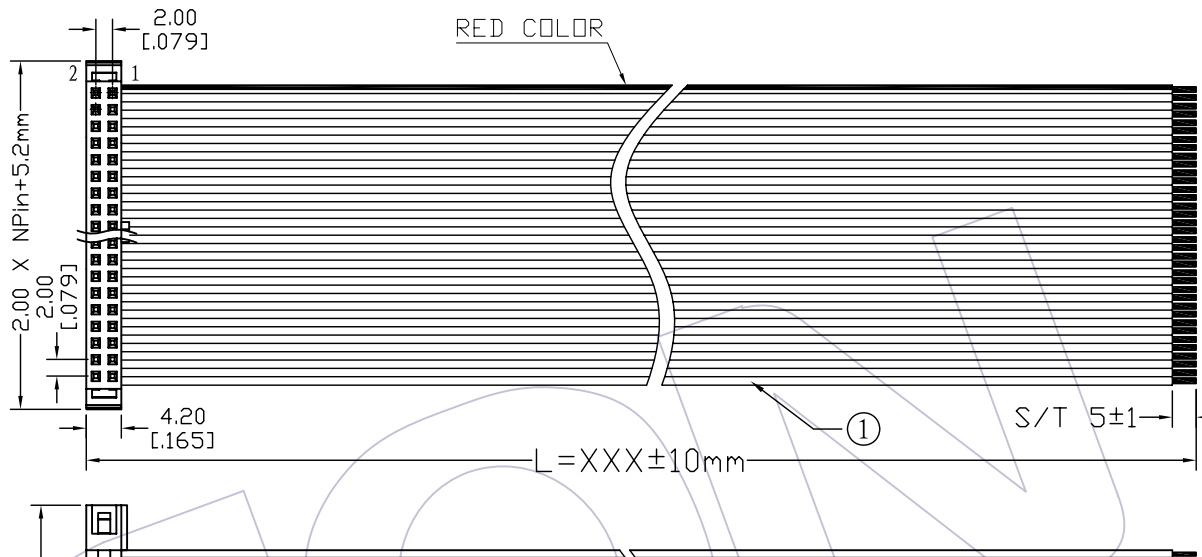
Insulation:UL 2651,Grey Red Side

Conductor:28AWG(7/0.12mm)

Electrical:300V

P1

P2



Ordering Information

FT2A - xx xx C A B xxx - 01

No.OF Pins
06~64p

Contact Plating:

G0=Gold Flash

G3=10u"Gold

G4=15u"Gold

G5=30u"Gold

S0=Gold Flash/Ni

S3=10u"Gold/Ni

S4=15u"Gold/Ni

S5=30u"Gold/Ni

SN=Tin

Connector Color:

B=Black

Connector Direction:

C=OPEN END

Length of Line(mm)

CONNECT METHOD

P1	P2
1	Open
2	Open
3	Open
4	Open
XX	Open
XX	Open

②	5222-XXYPXXBW01	CONN.	2.00 IDC **P PBT Black Phosphor Bronze Plating Xu" gold With Bump	1	SET
①	F1U-B28CXXD0-XXXX-1	WIRE	UL2651 PH1.0mm XXP 28AWG (7/0.12TC) PVC Grey Marking Red Side	XXXX	MM
NO.	PART NO.	NAME	TITLE	QT'Y	UNIT

REV	DATE	MODIFICATION DESCRIPTION	CHANGE	APPROVE	OPERATION	DRAW	BEN	09/08/20	SCALE	1:1	WCON 维峰五金电子有限公司 WAFE HARDWARE ELECTRONICS CO. LTD	
AO	09/08/20	NEW			X.X	±0.40			UNIT	mm	PART NO.	FT2A -xxxxCABxxx-01
					X.XX	±0.25			SIZE	A4	TITLE:	2.00 IDC Drawing
					X.XXX	±0.15			SHEET	1/1	Customer NO.	
					Angle	± 3'			PROJ.	⊕		
					DIM	TOL						