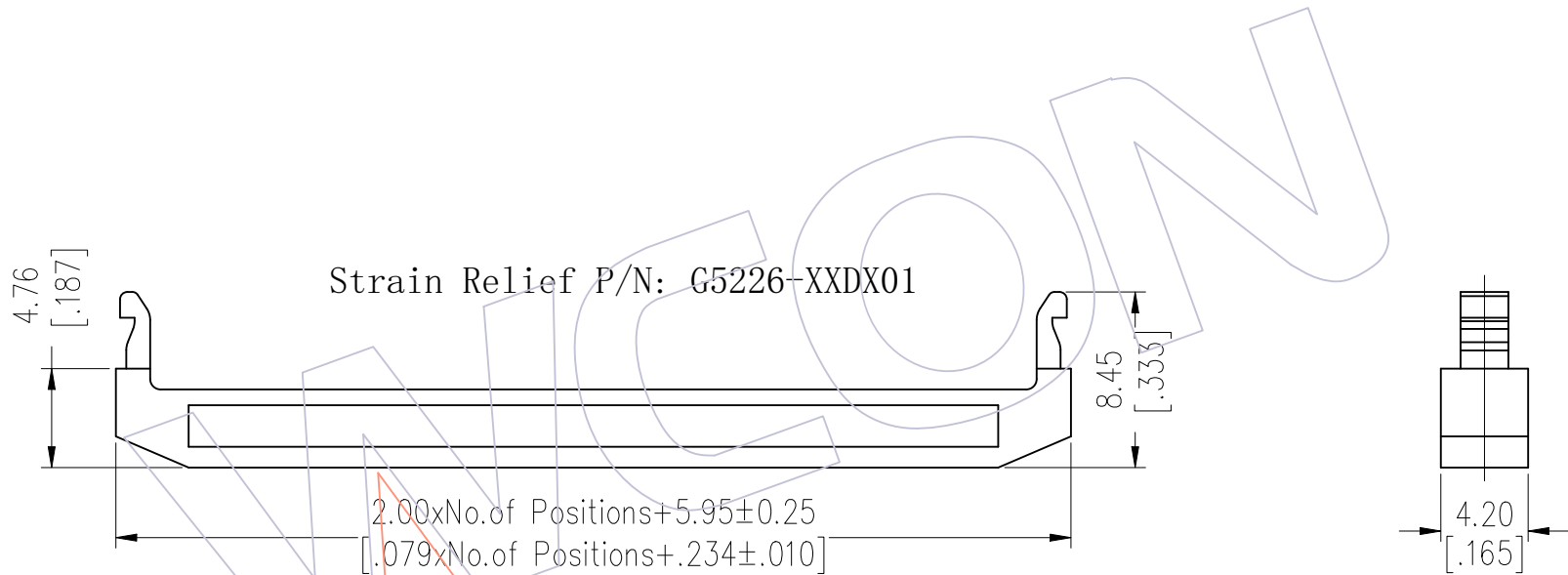


HSF



A3	2022/05/25	Modify TITLE	△3	DuYing	OPERATION	DRAW	DATE	SCALE	FIT	PART NO. G5226-XXDX01
A2	2018/05/29	MODIFY	△2	Ding	X.X ±0.40	DuYing	2022/05/25	UNIT	mm	
A1	2012/07/28	MODIFY	△1	—	X.XX ±0.25	CHECK	DATE	SIZE	A4	TITLE: 2.00mm IDC SOCKET "M" TYPE (WITH POLARIZATION ONLY) STRAIN RELIEF
A0	2010/09/28	NEW	—	—	X.XXX ±0.15	APPROVE	DATE	SHEET	2/2	
REV	DATE	MODIFICATION DESCRIPTION	CHANGE		Angle ± 3'			PROJ.	⊕	Customer NO.
					DIM TOL					

**WCON**  
[Http: www.wcon.com](http://www.wcon.com)  
 WCON-Dongguan      WCON-Kunshan  
 Tel: +86 769 85358920      Tel: +86 512 57468408  
 Fax: +86 769 85358915      Fax: +86 512 57468468  
 E-mail: sales@wcon.com      E-mail: salesks@wcon.com