

HSF

NOTES:
 Current Rating: 3.2AMP Per Pin(2 Pins Powered)
 Voltage Rating: 250VAC
 Contact Resistance: 30mΩ Max
 Withstand Voltage: 750VAC
 Insulation Resistance: 1000MΩ Min
 Operation Temperature: -55℃ to +125℃
 Contact Material: Copper Alloy
 Contact plating: (See Ordering Information)
 XXu" Gold On Contact Area,
 100u" Matte Tin On Solder Area
 50u" Nickel Underplating Overall
 Insulator And Cap Material: LCP,G.F,UL94V-0,Black

Recommended Process:
 IR Soldering, Peak Temperature: 260±5℃
 For 5+/-1s

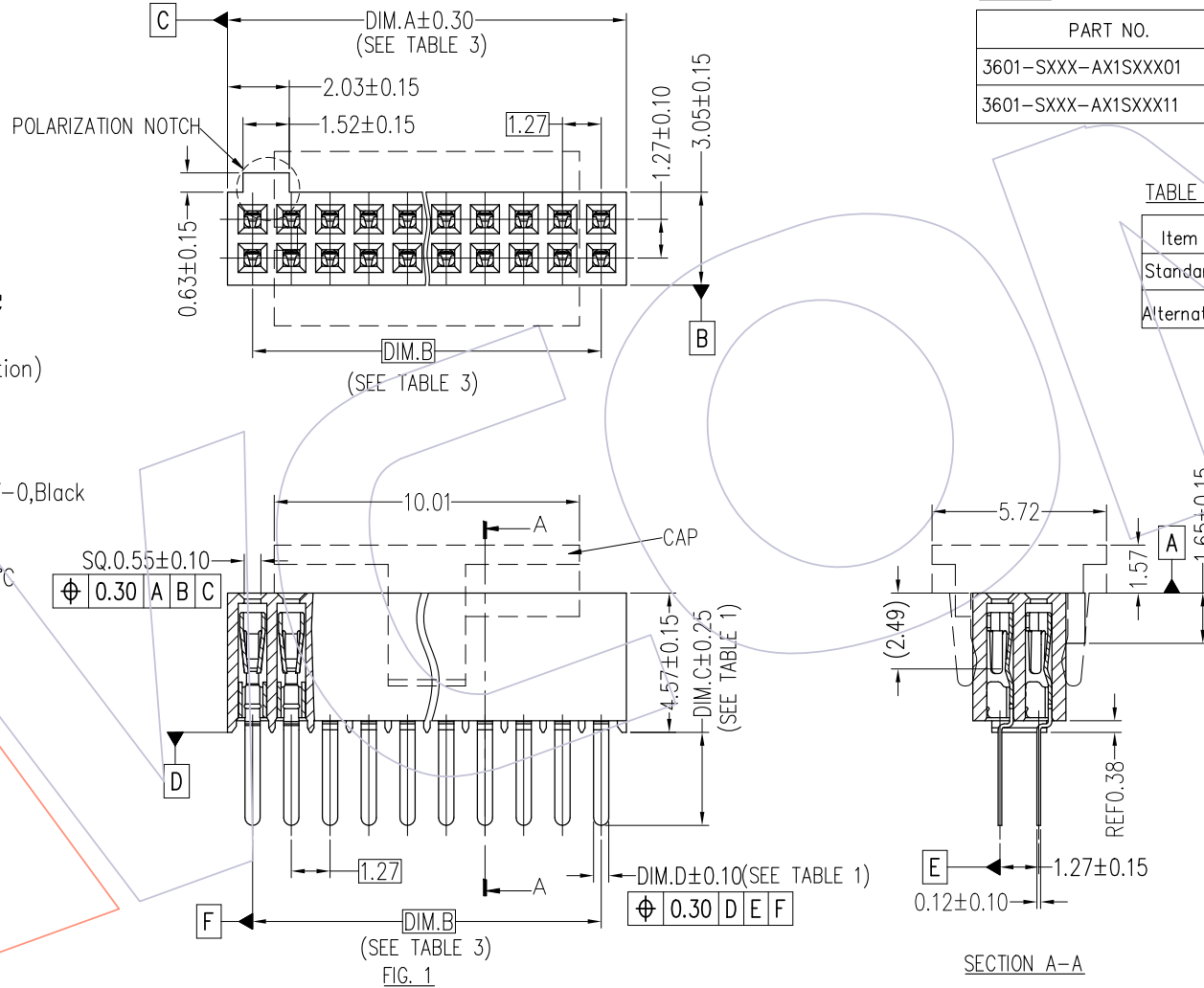


TABLE 1

PART NO.	Lead Style	DIM.C	DIM.D
3601-SXXX-AX1SXXX01	-01	3.05	0.50
3601-SXXX-AX1SXXX11	-03	1.91	0.41

TABLE 2

Item	Pitch	Mating
Standard	1.27	3601-P
Alternative		

3D VIEW

THROUGH HOLE/STRAIGHT MODIFIED(-STD)
 LEAD STYLE: -01, -03

REV	DATE	MODIFICATION DESCRIPTION	CHANGE	OPERATION	DRAW	DATE	SCALE	FIT	PART NO.
AO	2021/10/20	NEW	Ken	x.x ±0.40	Ken	2021/10/20	UNIT	mm	3601-SXXX-AX1SXXX1
				x.xx ±0.25	CHECK	DATE	SIZE	A4	TITLE:
				x.xxx ±0.15	APPROVE	DATE	SHEET	1/6	1.27mm BTB Female Header W=3.05, -STD STYLE, DIP
				Angle ± 3°			PROJ.	Customer NO.	
				DIM TOL					

WCON

Http: www.wcon.com

WCON-Dongguan Tel: +86 769 85358920 Fax: +86 769 85358915 E-mail: sales@wcon.com	WCON-Kunshan Tel: +86 512 57468408 Fax: +86 512 57468468 E-mail: salesks@wcon.com
---	--

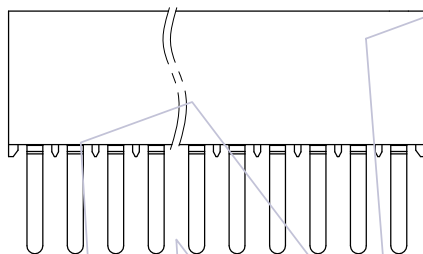
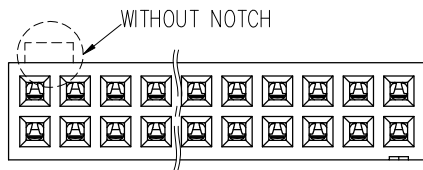
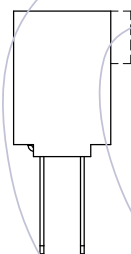
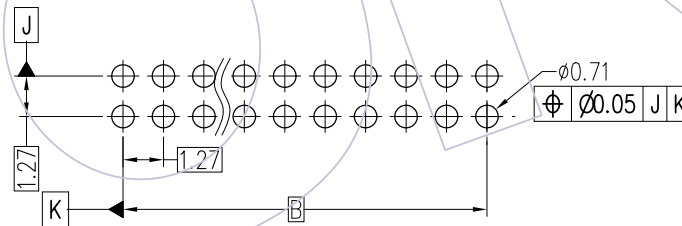



FIG. 2
WITHOUT NOTCH
(SAME AS FIG. 1, DIFFERENT AS SHOWN)



Recommended P.C.B Layout (Top Side)
(PCB BOARD TOLERANCE ± 0.05)



(SEE TABLE 3)

				OPERATION	DRAW	DATE	SCALE	FIT	PART NO.	 Http: www.wcon.com WCON-Dongguan Tel: +86 769 85358920 Fax: +86 769 85358915 E-mail: sales@wcon.com	WCON-Kunshan Tel: +86 512 57468408 Fax: +86 512 57468468 E-mail: salesks@wcon.com
			x.x ±0.40	Ken	2021/10/20	UNIT	mm	3601-SXXX-AX1SXXXX1			
			x.xx ±0.25	CHECK	DATE	SIZE	A4	TITLE: 1.27mm BTB Female Header W=3.05, -STD STYLE, DIP			
AO	2021/10/20	NEW	x.xxx ±0.15	APPROVE	DATE	SHEET	2/6	Customer NO.			
REV	DATE	MODIFICATION DESCRIPTION	CHANGE	Angle ± 3°			PROJ.				
				DIM TOL							

HSF

Ordering Information

3601 - S XXX -A X 1S XX X X 1

No.Of Pins:
04-100Pin
(See Table 3)

Housing Character:
1=With Notch
2=Without Notch

Internal Code:


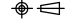
0= 180°DIP
Tail Length 3.05mm
1= 180°DIP
Tail Length 1.91mm
(See Table 1)

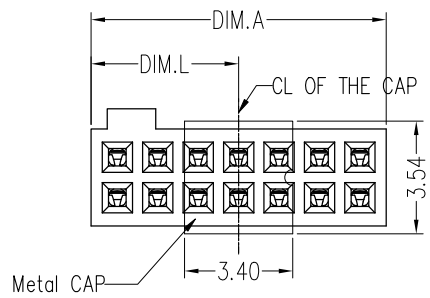
Packaging :
R=Tape & Reel+ Cap
T=Tube
P=Tube + Cap

Contact Plating:
W1=3u" Gold/Matte Tin,
W2=5u" Gold/Matte Tin,
W3=10u" Gold/Matte Tin,
W4=15u" Gold/Matte Tin,
W5=30u" Gold/Matte Tin,

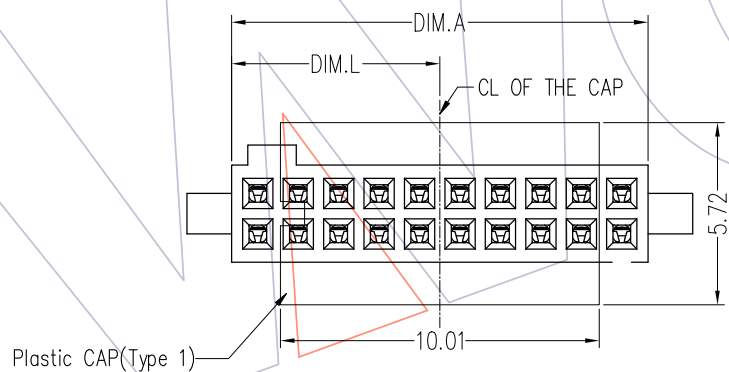
TABLE 3:

PIN No.	Part Number	DIM.A	DIM.B
4(2*2P)	3601-S004-AX1SXXXX1	2.92	1.27
6(2*3P)	3601-S006-AX1SXXXX1	4.19	2.54
8(2*4P)	3601-S008-AX1SXXXX1	5.46	3.81
10(2*5P)	3601-S010-AX1SXXXX1	6.73	5.08
12(2*6P)	3601-S012-AX1SXXXX1	8.00	6.35
14(2*7P)	3601-S014-AX1SXXXX1	9.27	7.62
16(2*8P)	3601-S016-AX1SXXXX1	10.54	8.89
20(2*10P)	3601-S020-AX1SXXXX1	13.08	11.43
30(2*15P)	3601-S030-AX1SXXXX1	19.43	17.78
40(2*20P)	3601-S040-AX1SXXXX1	25.78	24.13
50(2*25P)	3601-S050-AX1SXXXX1	32.13	30.48
60(2*30P)	3601-S060-AX1SXXXX1	38.48	36.83
70(2*35P)	3601-S070-AX1SXXXX1	44.83	43.18
80(2*40P)	3601-S080-AX1SXXXX1	51.18	49.53
90(2*45P)	3601-S090-AX1SXXXX1	57.53	55.88
100(2*50P)	3601-S100-AX1SXXXX1	63.88	62.23

REV	DATE	MODIFICATION DESCRIPTION	CHANGE	OPERATION		DRAW Ken	DATE 2021/10/20	SCALE	FIT	PART NO. 3601-SXXX-AX1SXXXX1	TITLE: 1.27mm BTB Female Header W=3.05, -STD STYLE, DIP	 Http: www.wcon.com WCON-Dongguan Tel: +86 769 85358920 WCON-Kunshan Tel: +86 512 57468408 Fax: +86 769 85358915 E-mail: sales@wcon.com	
				x.x	±0.40								
AO	2021/10/20	NEW	Ken	x.xx	±0.25	CHECK	DATE	SIZE	A4	Customer NO.			
				x.xxx	±0.15	APPROVE	DATE	SHEET	3/6				
				Angle	± 3'			PROJ.					
				DIM	TOL								



Housing Character	PIN No.	DIM.L
Without Notch	2*2P~2*7P	DIM.L=1/2*DIM.A
With Notch	2*5P	DIM.L=3.73
	2*6P~2*7P	DIM.L=1/2*DIM.A



Housing Character	PIN No.	DIM.L
Without Notch	2*8P~2*50P	DIM.L=1/2*DIM.A
With Notch		

REV	DATE	MODIFICATION DESCRIPTION	CHANGE	OPERATION	DRAW	DATE	SCALE	FIT	PART NO.
AO	2021/10/20	NEW	Ken	x.x ±0.40	Ken	2021/10/20	UNIT	mm	3601-SXXX-AX1SXXXX1
				x.xx ±0.25	CHECK	DATE	SIZE	A4	TITLE:
				x.xxx ±0.15	APPROVE	DATE	SHEET	4/6	1.27mm BTB Female Header W=3.05, -STD STYLE, DIP
				Angle ± 3°			PROJ.	⌀	Customer NO.
				DIM TOL					

WCON
Http: www.wcon.com

WCON-Dongguan Tel: +86 769 85358920 Fax: +86 769 85358915 E-mail: sales@wcon.com	WCON-Kunshan Tel: +86 512 57468408 Fax: +86 512 57468468 E-mail: salesks@wcon.com
---	--

HSF

TABLE 4:

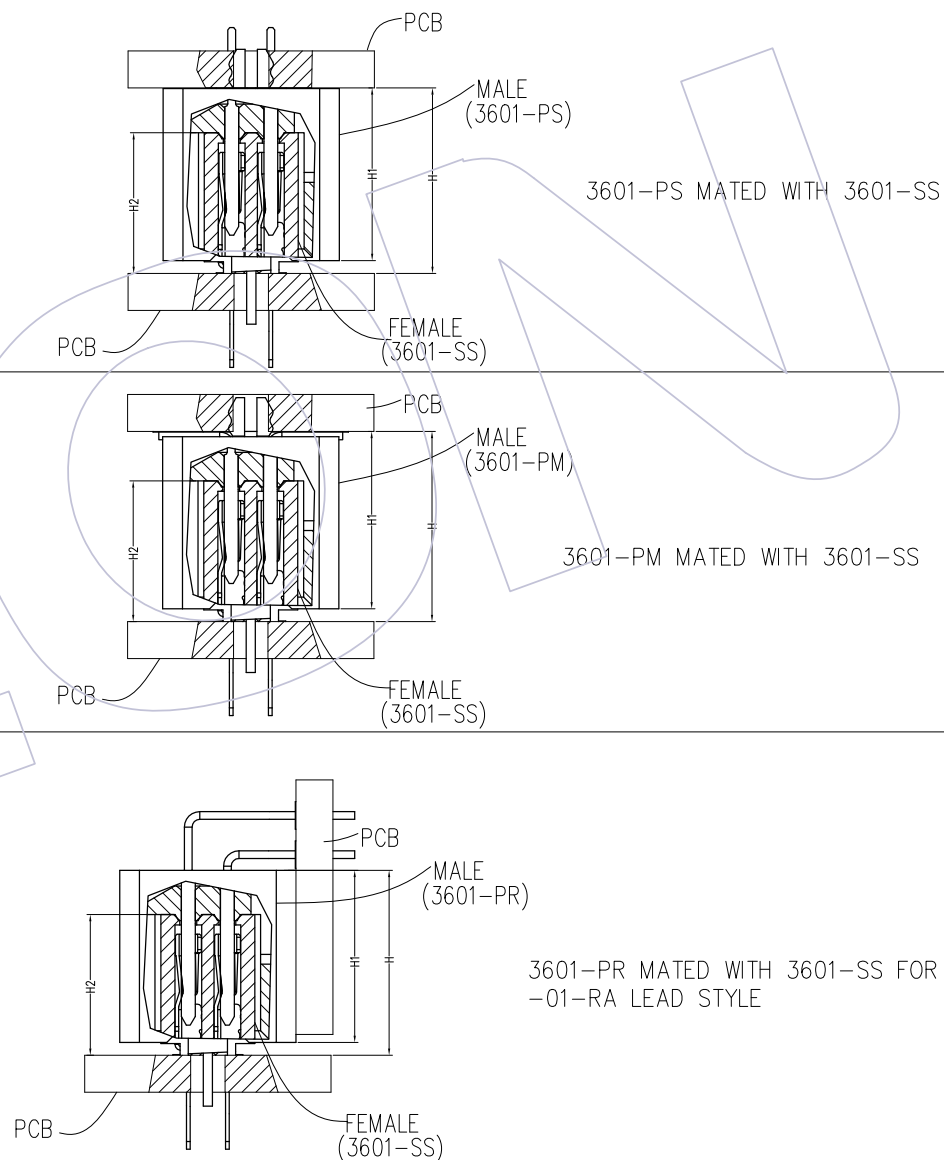
		ASS'Y HIGH(H)		MALE	FEMALE	WIPE	
		3601-SS LEAD STYLE				FULLY MATED	MIN @ H MAX
		-01, -03		H1	H2		
		FULLY MATED	MAX				
3601-PS LEAD STYLE	-01	6.02	6.48	5.59	4.57	0.84	0.38
	-03	6.02	6.48	5.59	4.57	0.84	0.38
	-11	7.80	8.26	7.37	4.57	0.84	0.38
	-13	7.80	8.26	7.37	4.57	0.84	0.38
	-21	9.58	10.04	9.14	4.57	0.84	0.38
	-23	9.58	10.04	9.14	4.57	0.84	0.38
	-31	11.48	11.94	11.05	4.57	0.84	0.38

TABLE 5:

		ASS'Y HIGH(H)		MALE	FEMALE	WIPE	
		3601-SS LEAD STYLE				FULLY MATED	MIN @ H MAX
		-01, -03		H1	H2		
		FULLY MATED	MAX				
3601-PM LEAD STYLE	-02	6.17	6.63	5.74	4.57	0.84	0.38
	-12	7.95	8.41	7.52	4.57	0.84	0.38
	-22	9.73	10.19	9.30	4.57	0.84	0.38
	-32	11.63	12.09	11.20	4.57	0.84	0.38

TABLE 6:

		ASS'Y HIGH(H)		MALE	FEMALE	WIPE	
		3601-SS LEAD STYLE				FULLY MATED	MIN @ H MAX
		-01, -03		H1	H2		
		FULLY MATED	MAX				
3601-PR LEAD STYLE	-01-RA	6.02	6.48	5.59	4.57	0.84	0.38
	-01-RE1	6.10	6.56	6.10	4.57	0.84	0.38
	-01-RE2	6.10	6.56	6.10	4.57	0.84	0.38



				OPERATION	DRAW	DATE	SCALE	FIT	PART NO.
				x.x	Ken	2021/10/20	UNIT	mm	3601-SXXX-AX1SXXX1
				x.xx	CHECK	DATE	SIZE	A4	TITLE:
				x.xxx	APPROVE	DATE	SHEET	5/6	1.27mm BTB Female Header
AO	2021/10/20	NEW	Ken	Angle			PROJ.	Customer NO.	W=3.05, -STD STYLE, DIP
REV	DATE	MODIFICATION DESCRIPTION	CHANGE	DIM	TOL				

WCON
Http: www.wcon.com

WCON-Dongguan
Tel: +86 769 85358920
Fax: +86 769 85358915
E-mail: sales@wcon.com

WCON-Kunshan
Tel: +86 512 57468408
Fax: +86 512 57468468
E-mail: salesks@wcon.com

