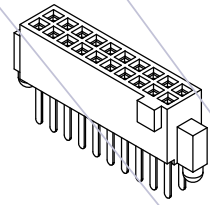


HSF

NOTES:
 Current Rating: 3.2AMP Per Pin(2 Pins Powered)
 Voltage Rating: 250VAC
 Contact Resistance: 30mΩ Max
 Withstand Voltage: 750V AC
 Insulation Resistance: 1000MΩ Min
 Operation Temperature: -55℃ to +125℃
 Contact Material: Copper Alloy
 Contact plating:
 XXu" Gold On Contact Area,
 (See Ordering Information)
 100u" Matte Tin On Solder Area
 50u" Nickel Underplating Overall
 Insulator And Cap Material: LCP,G.F,UL94V-0,Black
 Recommended Process:
 Wave Soldering,Peak Temperature: 260±5℃
 For 5+/-1s



3D VIEW

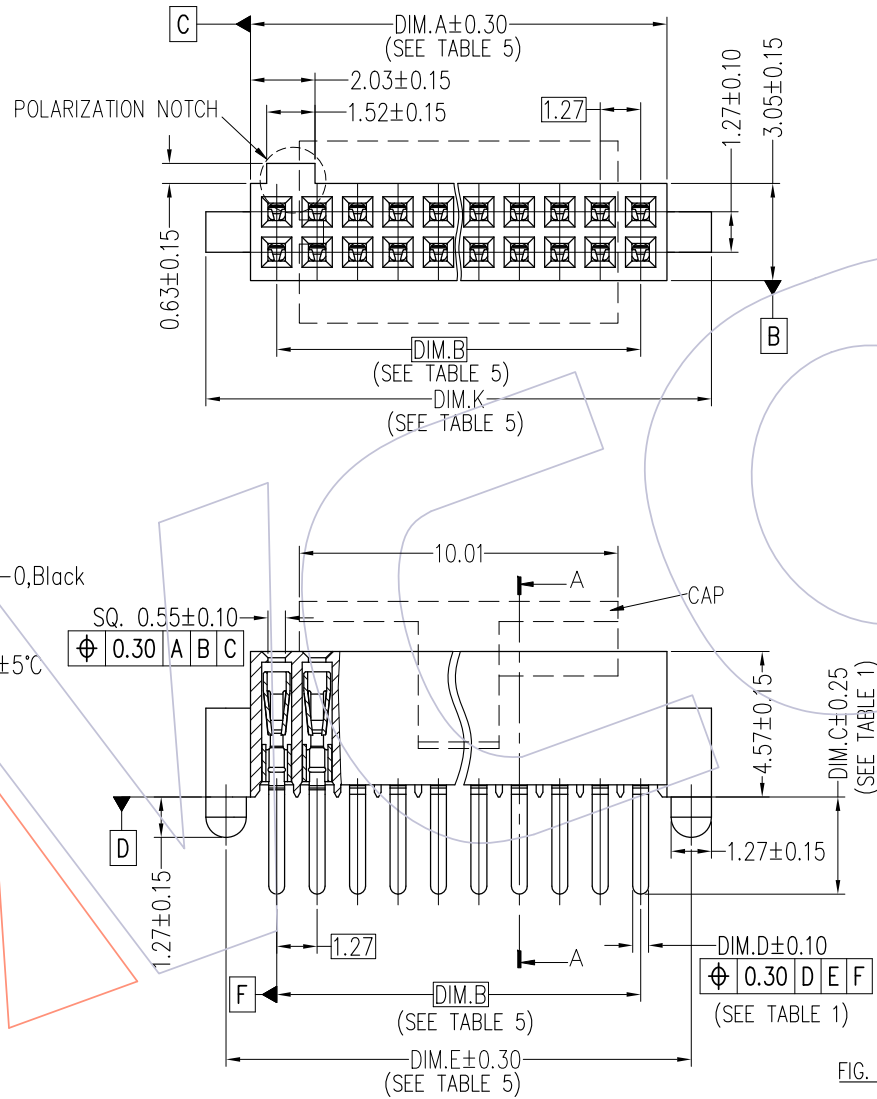


FIG. 1

THROUGH HOLE/STRAIGHT MODIFIED(-STD)
 LEAD STYLE: -01, -03

TABLE 1

PART NO.	Lead Style	DIM.C	DIM.D
3601-SXXX-BX1SXXX01	-01	3.05	0.50
3601-SXXX-BX1SXXX11	-03	1.91	0.41

TABLE 2

Item	Pitch	Mating
Standard	1.27	3601-P
Alternative		

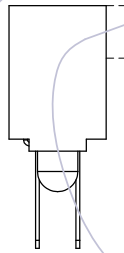
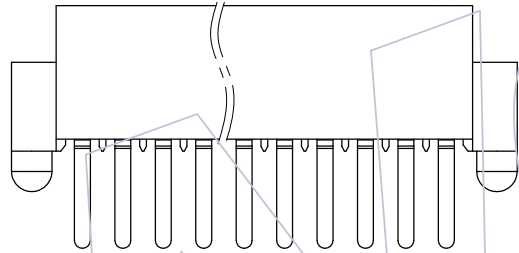
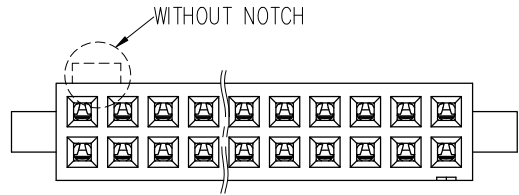
REV	DATE	MODIFICATION DESCRIPTION	CHANGE	OPERATION	DRAW	DATE	SCALE	FIT	PART NO.
AO	2021/10/20	NEW	Ken	x.x ±0.40	Ken	2021/10/20	UNIT	mm	3601-SXXX-BX1SXXX1
				x.xx ±0.25	CHECK	DATE	SIZE	A4	TITLE:
				x.xxx ±0.15	APPROVE	DATE	SHEET	1/8	1.27mm BTB Female Header
				Angle ± 3°			PROJ.	Customer NO.	W=3.05, -A STYLE, DIP
				DIM TOL					

WCON

Http: www.wcon.com

WCON-Dongguan
 Tel: +86 769 85358920
 Fax: +86 769 85358915
 E-mail: sales@wcon.com

WCON-Kunshan
 Tel: +86 512 57468408
 Fax: +86 512 57468468
 E-mail: salesks@wcon.com



Recommended P.C.B Layout (Top Side)
(PCB BOARD TOLERANCE ±0.05)

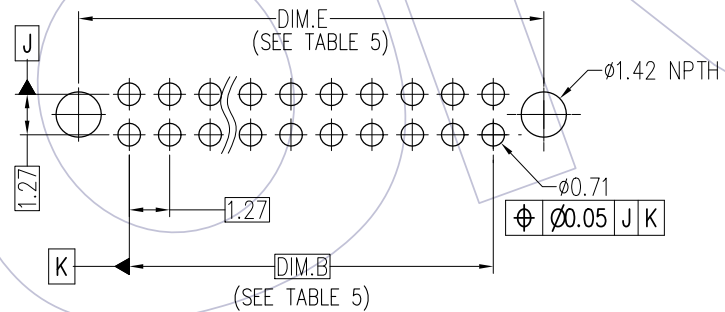



FIG. 2
WITHOUT NOTCH
(SAME AS FIG.1, DIFFERENT AS SHOWN)

				OPERATION		DRAW	DATE	SCALE	FIT	PART NO.	 Http: www.wcon.com	
				x.x	±0.40	Ken	2021/10/20	UNIT	mm	3601-SXXX-BX1SXXXX1		
				x.xx	±0.25	CHECK	DATE	SIZE	A4	TITLE:	WCON-Dongguan Tel: +86 769 85358920 Fax: +86 769 85358915 E-mail: sales@wcon.com	
				x.xxx	±0.15			SHEET	2/8	1.27mm BTB Female Header W=3.05, -A STYLE, DIP		
AO	2021/10/20	NEW	Ken	Angle	± 3°	APPROVE	DATE	PROJ.	Customer NO.			
REV	DATE	MODIFICATION DESCRIPTION	CHANGE	DIM	TOL							

1 2 3 4 5 6 7 8 9 10

A
B
C
D
E
F
G

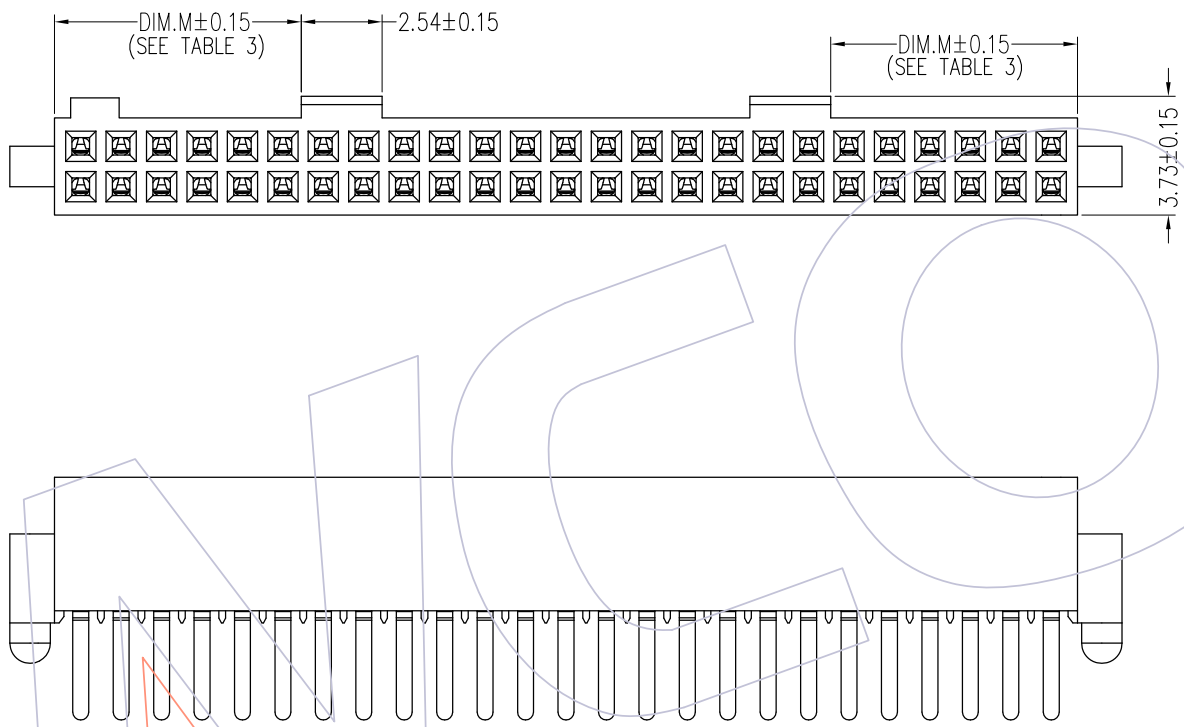


TABLE 3

NO. OF POS.	DIM.M
05, 07, 08	2.03
10 THRU 50	7.75

FIG. 3
HOUSING WITH LOCKING
POSITION 25 PER ROW
(SAME AS FIG.1, DIFFERENT AS SHOWN)

REV	DATE	MODIFICATION DESCRIPTION	CHANGE	OPERATION	DRAW	DATE	SCALE	FIT	PART NO.
AO	2021/10/20	NEW	Ken	x.x ±0.40	Ken	2021/10/20	UNIT	mm	3601-SXXX-BX1SXXXX1
				x.xx ±0.25	CHECK	DATE	SIZE	A4	TITLE:
				x.xxx ±0.15	APPROVE	DATE	SHEET	3/8	1.27mm BTB Female Header W=3.05, -A STYLE, DIP
				Angle ± 3°			PROJ.	⌀	Customer NO.
				DIM TOL					

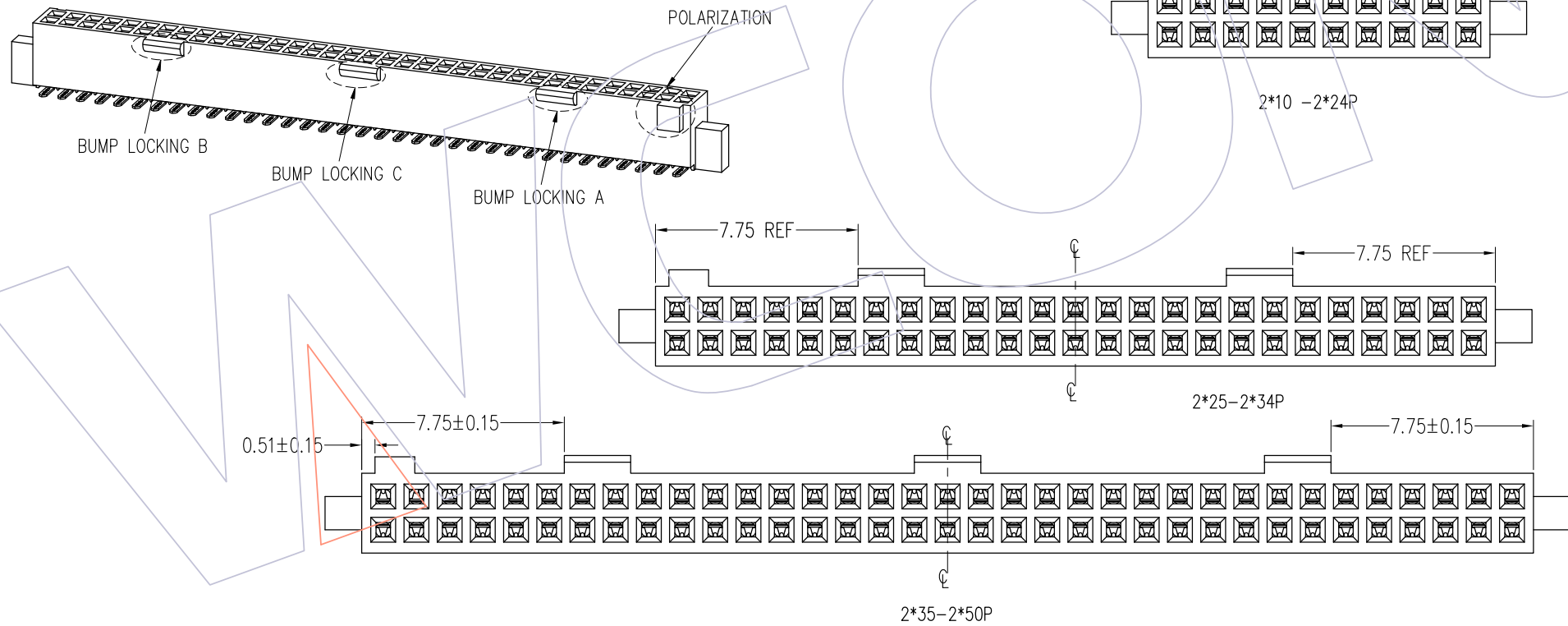
WCON
Http: www.wcon.com

WCON-Dongguan Tel: +86 769 85358920 Fax: +86 769 85358915 E-mail: sales@wcon.com	WCON-Kunshan Tel: +86 512 57468408 Fax: +86 512 57468468 E-mail: salesks@wcon.com
---	--

1 2 3 4 5 6 7 8 9 10

TABLE 4

No.	Pin Number (Per Row)	POLARIZATION	BUMP LOCKING A	BUMP LOCKING B	BUMP LOCKING C
4	2*5,2*7,2*8	NO	YES	NO	NO
3	2*10-2*24	YES	YES	NO	NO
3	2*25-2*34	YES	YES	YES	NO
3	2*35-2*50	YES	YES	YES	YES
2	ALL	NO	NO	NO	NO
1	2*5-2*50	YES	NO	NO	NO



REV	DATE	MODIFICATION DESCRIPTION	CHANGE	OPERATION	DRAW	DATE	SCALE	FIT	PART NO.
AO	2021/10/20	NEW	Ken	x.x ±0.40	Ken	2021/10/20	UNIT	mm	3601-SXXX-BX1SXXXX1
				x.xx ±0.25	CHECK	DATE	SIZE	A4	TITLE:
				x.xxx ±0.15	APPROVE	DATE	SHEET	4/8	1.27mm BTB Female Header W=3.05, -A STYLE, DIP
				Angle ± 3°			PROJ.	Customer NO.	
				DIM TOL					

WCON
 Http: www.wcon.com

WCON-Dongguan
 Tel: +86 769 85358920
 Fax: +86 769 85358915
 E-mail: sales@wcon.com

WCON-Kunshan
 Tel: +86 512 57468408
 Fax: +86 512 57468468
 E-mail: salesks@wcon.com

HSF

Ordering Information

3601 - S XXX -B X1S XX X X1

No.Of Pins:
04-100Pin
(See Table 5)

Internal Code:
0= 180°DIP
Tail Length 3.05mm
1= 180°DIP
Tail Length 1.91mm
(See Table 1)


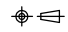
Packaging :
R=Tape & Reel+ Cap
T=Tube
P=Tube + Cap

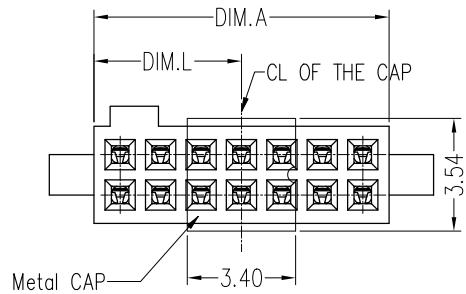
Housing Character:
1= Notch+No Bump Locking
2= No Notch+No Bump Locking
3= Notch+ Bump Locking
4= No Notch + Bump Locking
(SEE TABLE 4)

Contact Plating:
W1=3u" Gold/Matte Tin,
W2=5u" Gold/Matte Tin,
W3=10u" Gold/Matte Tin,
W4=15u" Gold/Matte Tin,
W5=30u" Gold/Matte Tin,

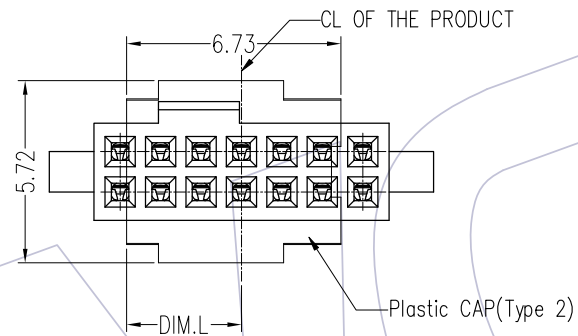
TABLE 5:

PIN No.(HOUSING WITH LOCKING)	PIN No.(HOUSING WITHOUT LOCKING)	Part Number	DIM.A	DIM.B	DIM.E	DIM.K
NA	4(2*2P)	3601-S004-BX1SXXXX1	2.92	1.27	4.45	5.72
NA	6(2*3P)	3601-S006-BX1SXXXX1	4.19	2.54	5.72	6.99
NA	8(2*4P)	3601-S008-BX1SXXXX1	5.46	3.81	6.99	8.26
10(2*5P)	10(2*5P)	3601-S010-BX1SXXXX1	6.73	5.08	8.26	9.53
NA	12(2*6P)	3601-S012-BX1SXXXX1	8.00	6.35	9.53	10.80
14(2*7P)	14(2*7P)	3601-S014-BX1SXXXX1	9.27	7.62	10.80	12.07
16(2*8P)	16(2*8P)	3601-S016-BX1SXXXX1	10.54	8.89	12.07	13.34
20(2*10P)	20(2*10P)	3601-S020-BX1SXXXX1	13.08	11.43	14.61	15.88
30(2*15P)	30(2*15P)	3601-S030-BX1SXXXX1	19.43	17.78	20.96	22.23
40(2*20P)	40(2*20P)	3601-S040-BX1SXXXX1	25.78	24.13	27.31	28.58
50(2*25P)	50(2*25P)	3601-S050-BX1SXXXX1	32.13	30.48	33.66	34.93
60(2*30P)	60(2*30P)	3601-S060-BX1SXXXX1	38.48	36.83	40.01	41.28
70(2*35P)	70(2*35P)	3601-S070-BX1SXXXX1	44.83	43.18	46.36	47.63
80(2*40P)	80(2*40P)	3601-S080-BX1SXXXX1	51.18	49.53	52.71	53.98
90(2*45P)	90(2*45P)	3601-S090-BX1SXXXX1	57.53	55.88	59.06	60.33
100(2*50P)	100(2*50P)	3601-S100-BX1SXXXX1	63.88	62.23	65.41	66.68

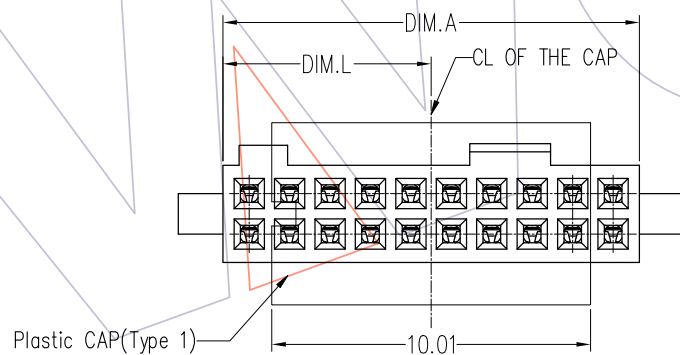
REV	DATE	MODIFICATION DESCRIPTION	CHANGE	OPERATION		DRAW Ken	DATE 2021/10/20	SCALE UNIT	FIT mm	PART NO. 3601-SXXX-BX1SXXXX1	TITLE: 1.27mm BTB Female Header W=3.05, -A STYLE, DIP	 Http: www.wcon.com	
				x.x	±0.40								
AO	2021/10/20	NEW	Ken	x.xx	±0.25	CHECK	DATE	SIZE	A4			WCON-Kunshan Tel: +86 512 57468408 Fax: +86 512 57468468 E-mail: salesks@wcon.com	
				x.xxx	±0.15	APPROVE	DATE	SHEET	5/8				
				Angle	± 3'			PROJ.					
				DIM	TOL								



Housing Character	PIN No.	DIM.L
No Notch+No Bump Locking	2*2P~2*7P	DIM.L=1/2*DIM.A
Notch+No Bump Locking	2*5P	DIM.L=3.73
	2*6P~2*7P	DIM.L=1/2*DIM.A



Housing Character	PIN No.	DIM.L
No Notch + Bump Locking	2*5P	DIM.L=3.37
	2*7P	DIM.L=3.61
	2*8P	DIM.L=4.24
Notch+ Bump Locking	2*35~2*50P	DIM.L=2.97



Housing Character	PIN No.	DIM.L
No Notch+No Bump Locking	2*8P~2*50P	DIM.L=1/2*DIM.A
Notch+No Bump Locking	2*8P~2*50P	DIM.L=1/2*DIM.A
Notch+ Bump Locking	2*10P~2*13P	DIM.L=6.48
	2*14P~2*17P	DIM.L=11.56
	2*18P~2*34P	DIM.L=1/2*DIM.A

REV	DATE	MODIFICATION DESCRIPTION	CHANGE	OPERATION	DRAW	DATE	SCALE	FIT	PART NO.
AO	2021/10/20	NEW	Ken	x.x ±0.40	Ken	2021/10/20	UNIT	mm	3601-SXXX-BX1SXXXX1
				x.xx ±0.25	CHECK	DATE	SIZE	A4	TITLE:
				x.xxx ±0.15	APPROVE	DATE	SHEET	6/8	1.27mm BTB Female Header W=3.05, -A STYLE, DIP
				Angle ± 3°			PROJ.	⌀	Customer NO.
				DIM TOL					

WCON

Http: www.wcon.com

WCON-Dongguan
Tel: +86 769 85358920
Fax: +86 769 85358915
E-mail: sales@wcon.com

WCON-Kunshan
Tel: +86 512 57468408
Fax: +86 512 57468468
E-mail: salesks@wcon.com

HSF

TABLE 6:

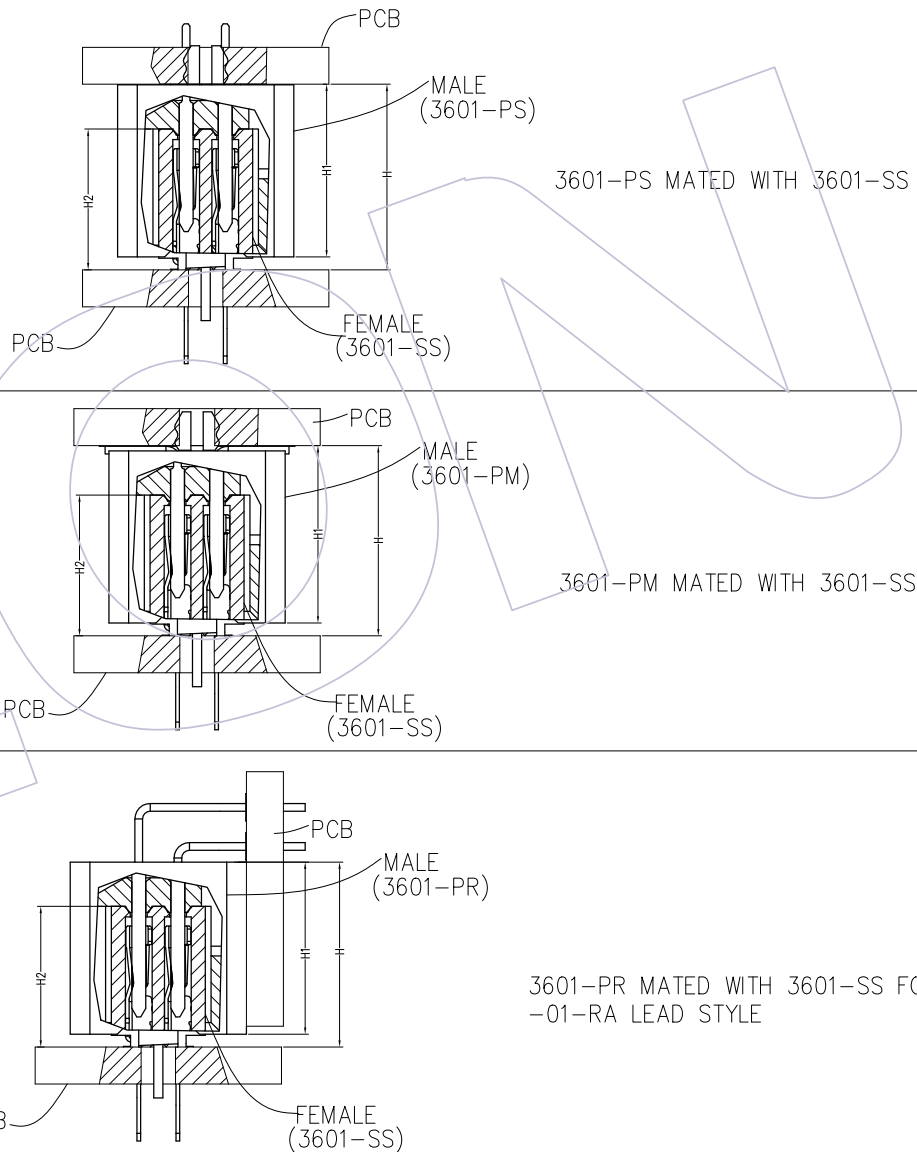
	ASS'Y HIGH(H)		MALE	FEMALE	WIPE			
	3601-SS LEAD STYLE				H1	H2	FULLY MATED	MIN @ H MAX
	-01, -03							
	FULLY MATED	MAX						
3601-PS LEAD STYLE	-01	6.02	5.59	4.57	0.84	0.38		
	-03	6.02	5.59	4.57	0.84	0.38		
	-11	7.80	7.37	4.57	0.84	0.38		
	-13	7.80	7.37	4.57	0.84	0.38		
	-21	9.58	9.14	4.57	0.84	0.38		
	-23	9.58	9.14	4.57	0.84	0.38		
	-31	11.48	11.94	11.05	4.57	0.84	0.38	

TABLE 7:

	ASS'Y HIGH(H)		MALE	FEMALE	WIPE			
	3601-SS LEAD STYLE				H1	H2	FULLY MATED	MIN @ H MAX
	-01, -03							
	FULLY MATED	MAX						
3601-PM LEAD STYLE	-02	6.17	5.74	4.57	0.84	0.38		
	-12	7.95	7.52	4.57	0.84	0.38		
	-22	9.73	9.30	4.57	0.84	0.38		
	-32	11.63	11.20	4.57	0.84	0.38		

TABLE 8:

	ASS'Y HIGH(H)		MALE	FEMALE	WIPE			
	3601-SS LEAD STYLE				H1	H2	FULLY MATED	MIN @ H MAX
	-01, -03							
	FULLY MATED	MAX						
3601-PR LEAD STYLE	-01-RA	6.02	5.59	4.57	0.84	0.38		
	-01-RE1	6.10	6.10	4.57	0.84	0.38		
	-01-RE2	6.10	6.10	4.57	0.84	0.38		

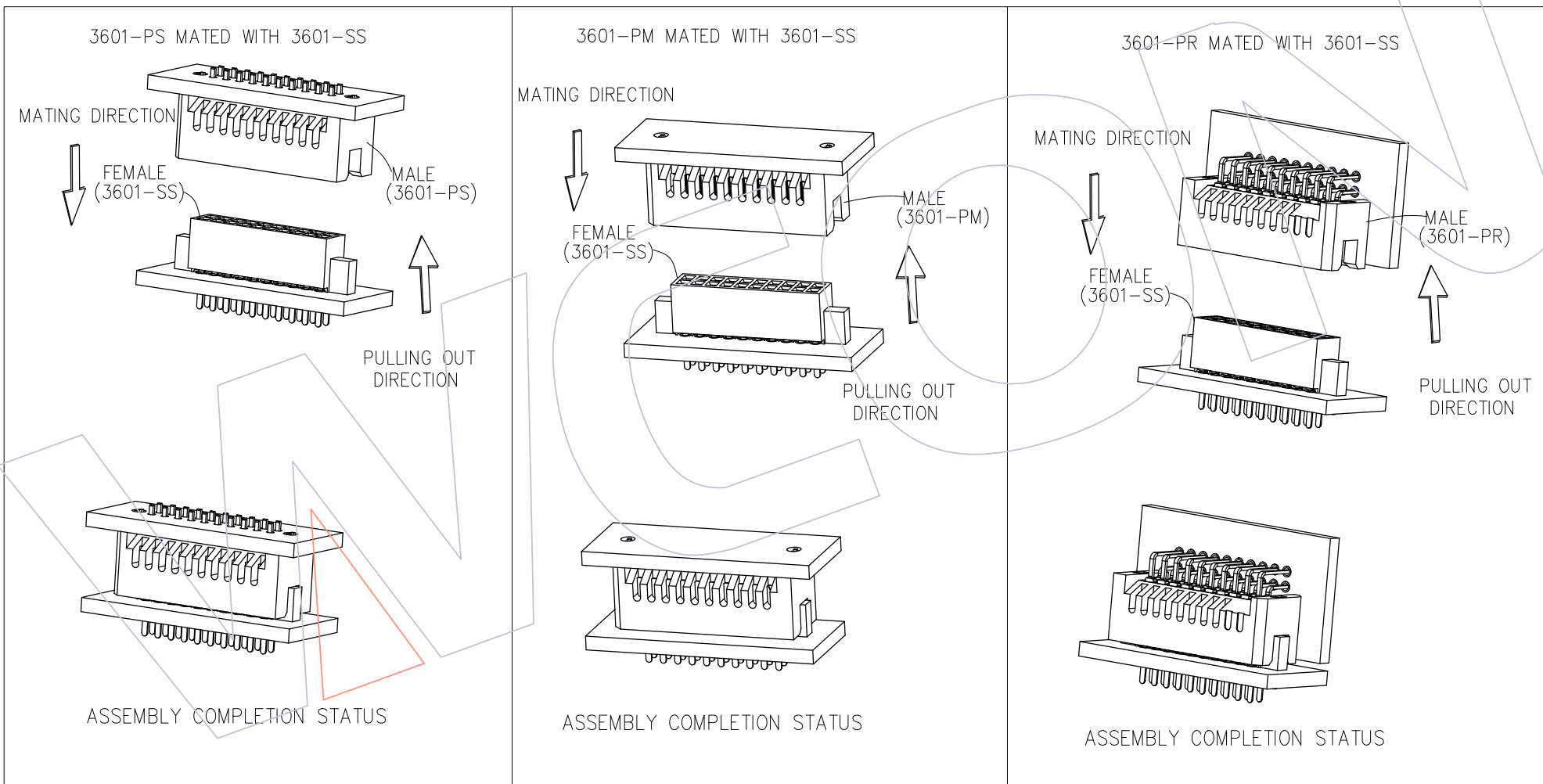



				OPERATION	DRAW	DATE	SCALE	FIT	PART NO.
				x.x	Ken	2021/10/20	UNIT		3601-SXXX-BX1SXXX1
				x.xx	CHECK	DATE	mm		TITLE:
				x.xxx	APPROVE	DATE	A4		1.27mm BTB Female Header
AO	2021/10/20	NEW	Ken	Angle			7/8		W=3.05, -A STYLE, DIP
REV	DATE	MODIFICATION DESCRIPTION	CHANGE	DIM	TOL		PROJ.		Customer NO.

WCON
Http: www.wcon.com

WCON-Dongguan
Tel: +86 769 85358920
Fax: +86 769 85358915
E-mail: sales@wcon.com

WCON-Kunshan
Tel: +86 512 57468408
Fax: +86 512 57468468
E-mail: salesks@wcon.com



				OPERATION	DRAW	DATE	SCALE	FIT	PART NO.	 Http: www.wcon.com
				x.x ±0.40	Ken	2021/10/20	UNIT	mm	3601-SXXX-BX1SXXX1	
				x.xx ±0.25	CHECK	DATE	SIZE	A4	TITLE:	
				x.xxx ±0.15	APPROVE	DATE	SHEET	8/8	1.27mm BTB Female Header W=3.05, -A STYLE, DIP	
AO	2021/10/20	NEW	Ken	Angle ± 3'			PROJ.	⌀	Customer NO.	WCON-Dongguan Tel: +86 769 85358920 Fax: +86 769 85358915 E-mail: sales@wcon.com
REV	DATE	MODIFICATION DESCRIPTION	CHANGE	DIM TOL						WCON-Kunshan Tel: +86 512 57468408 Fax: +86 512 57468468 E-mail: salesks@wcon.com