

HSF

NOTES:
 Current Rating: 2.0A Max AMP at 75°
 Contact Resistance: 20milliohm Max
 Withstand Voltage: 500V AC
 Insulation Resistance: 1000Megohm Min
 Operation Temperature: -40°C to +105°C

Housing Material: PA66,GF,UL94V-0,Gray
 Contact Material: Copper Alloy
 Contact plating: 100u" Tin over 50u" Nickel

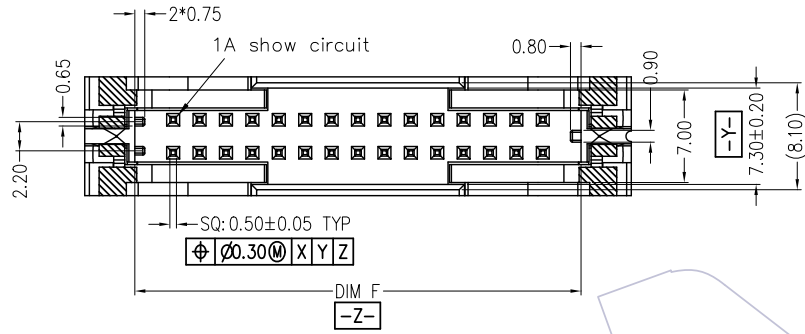
Recommended process
 Wave-soldering, Peak temperature: 235±5°C, 5S

Ordering Information

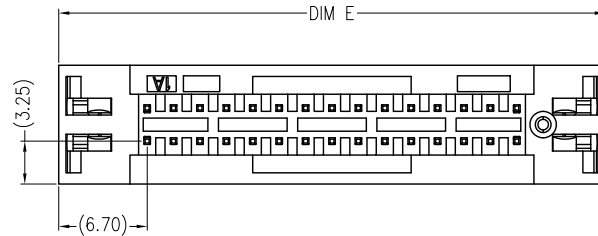
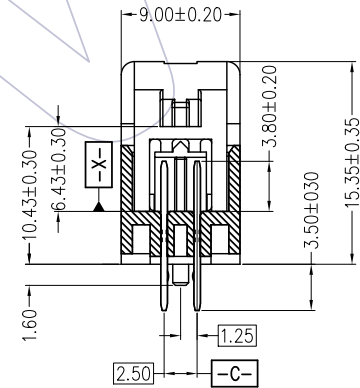
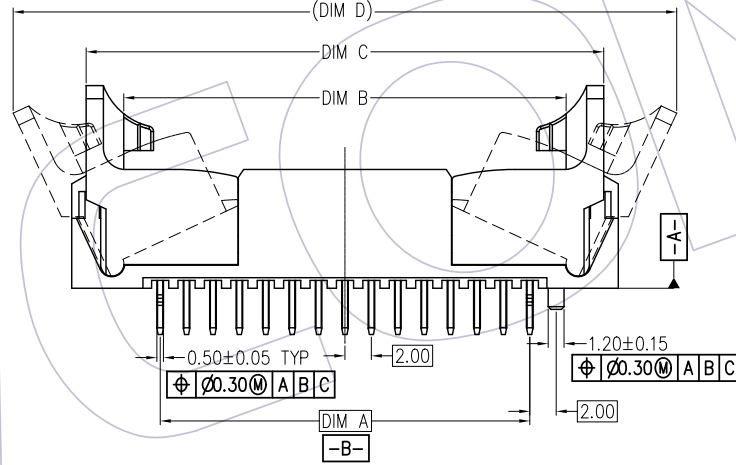
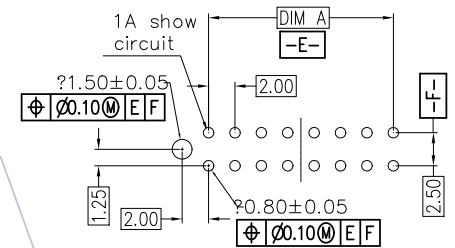
WF2015-2 WS XX G T 2

Row 2= Dual
 Type 180° DIP
 NO. Of Pin Per Row 15*30


Internal Code
 Packing T=Tube
 HSG Colour G=Gray



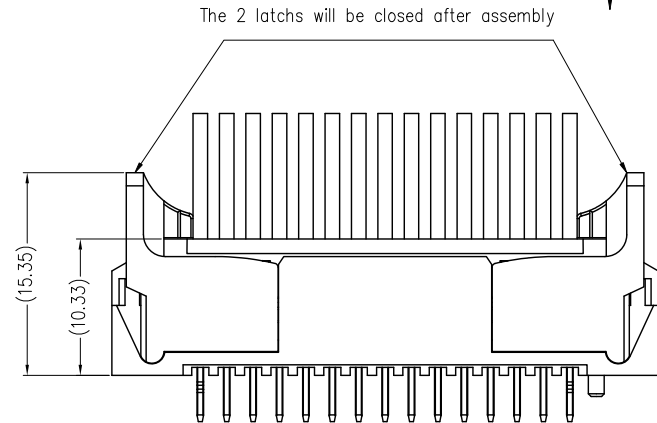
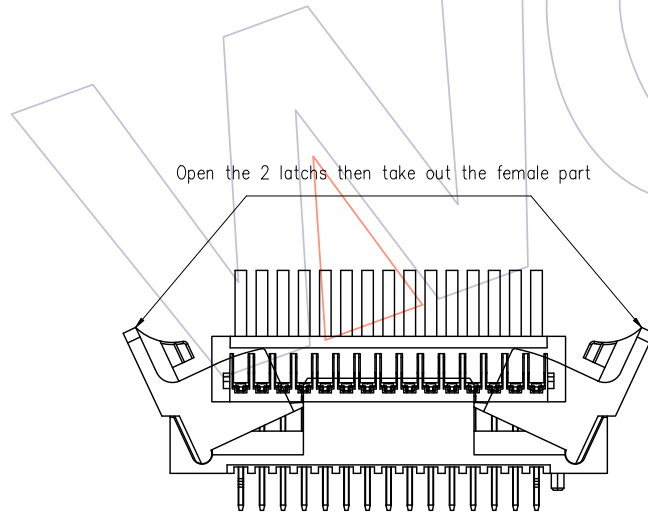
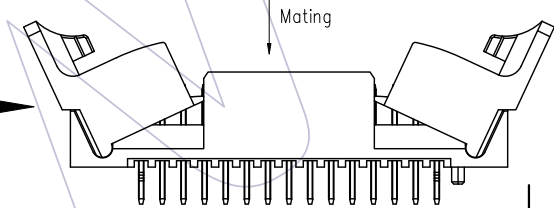
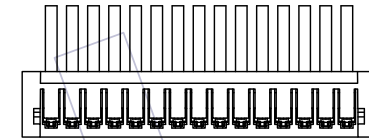
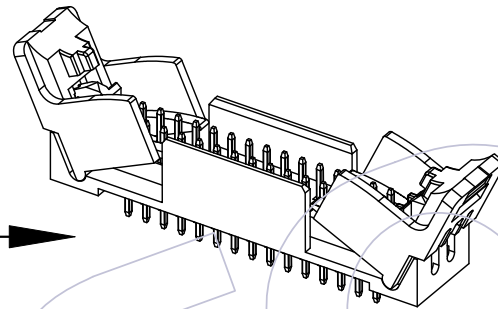
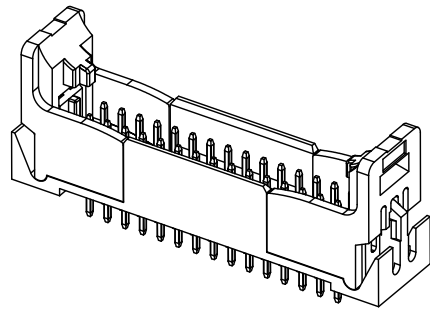
Recommended P.C.B layout (Top Side)
 (PCB BOARD TOLERANCE ±0.05 T=1.60mm)



60	58	63.60±0.35	69.30±0.35	80.40	71.40±0.30	63.80±0.30
50	48	53.60±0.35	59.30±0.35	70.40	61.40±0.30	53.80±0.30
40	38	43.60±0.35	49.30±0.35	60.40	51.40±0.30	43.80±0.30
34	32	37.60±0.35	43.30±0.35	54.40	45.40±0.30	37.80±0.30
30	28	33.60±0.30	39.30±0.30	50.40	41.40±0.25	33.80±0.25
PIN	A	B	C	D	E	F

		OPERATION		DRAW	DATE	SCALE	FIT	PART NO.		 Http: www.wcon.com WCON-Dongguan Tel: +86 769 85358920 WCON-Kunshan Tel: +86 512 57468408 Fax: +86 769 85358915 Fax: +86 512 57468468 E-mail: sales@wcon.com E-mail: salesks@wcon.com
		x.x	±0.40	Bruce	2020/11/25	UNIT	mm	WF2015-2WSXXGT2		
		x.xx	±0.25	CHECK	DATE	SIZE	A4	TITLE:		
		x.xxx	±0.15	APPROVE	DATE	SHEET	1/2	2.00*2.50mm, Wafer, "M" type Dual Row, 180° DIP, With latch		
A0	2020/11/25	NEW		---		PROJ.	1/2	Customer NO.		
REV	DATE	MODIFICATION DESCRIPTION		CHANGE						

HSF




Open the latch before mating

Assemble the female & male

Open the 2 latches then take out the female part

The 2 latches will be closed after assembly

				OPERATION	DRAW	DATE	SCALE	FIT	PART NO.	 <p>Http: www.wcon.com</p> <p>WCON-Dongguan Tel: +86 769 85358920 Fax: +86 769 85358915 E-mail: sales@wcon.com</p> <p>WCON-Kunshan Tel: +86 512 57468408 Fax: +86 512 57468468 E-mail: salesks@wcon.com</p>
				x.x ±0.40	Bruce	2020/11/25	UNIT	mm	WF2015-2WSXXGT2	
				x.xx ±0.25	CHECK	DATE	SIZE	A4	TITLE:	
				x.xxx ±0.15	APPROVE	DATE	SHEET	2/2	2.00*2.50mm, Wafer, "M" type Dual Row, 180° DIP, With Latch	
A0	2020/11/25	NEW	-----	Angle ± 3°			PROJ.	⌀	Customer NO.	
REV	DATE	MODIFICATION DESCRIPTION	CHANGE	DIM TOL						