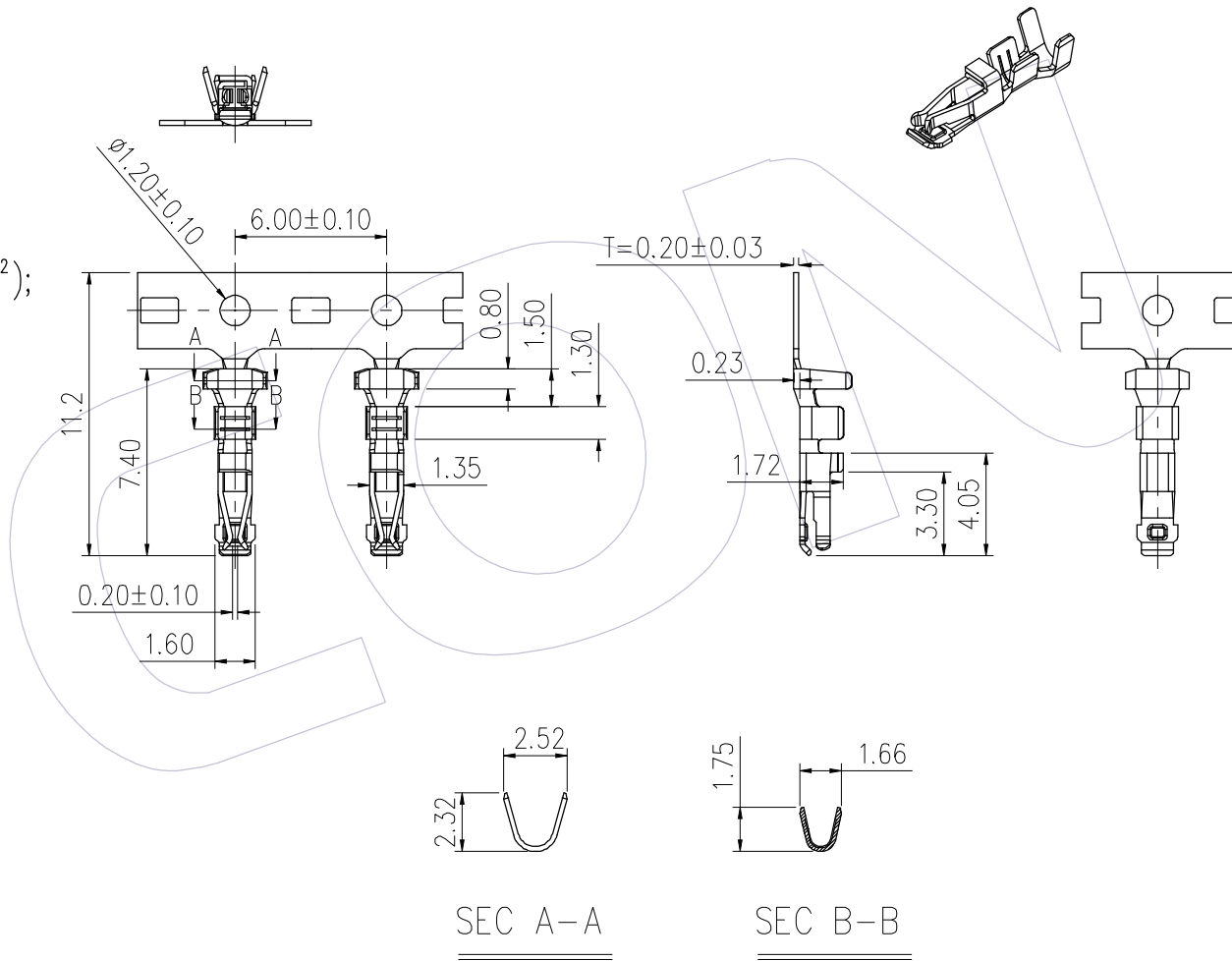


# HSF

**NOTES:**

1. Rated Current: 2P 4.7A, 3~8P 3.5A,  
9~16P 3.4A at 25±5°C;
2. Contact Resistance: Initial: 10mΩ Max.  
Final: 20mΩ Max;
3. Applicable Wire: 22-26AWG(0.35-0.13mm<sup>2</sup>);
4. Operation Temperature: -40°C to +125°C
5. Contact Material: copper alloy
6. Contact Plating: 80u" Bright Sn overall;  
30u" Ni underplating overall;



## Ordering Information

WF2010-T C SN 01

T=Terminal

Material: C=C7205

Plating SN=Bright Sn

Wcon Internal Code

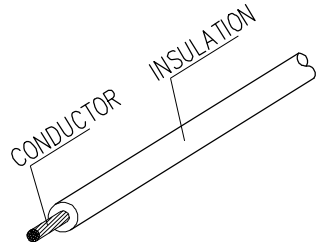
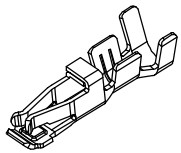
REV	DATE	MODIFICATION DESCRIPTION	CHANGE	OPERATION	DRAW	DATE	SCALE	Fit	PART NO.
0	2022/08/30	NEW	Milo	x. ±0.30	Milo	2022/08/30	UNIT	mm	WF2010-TCXX01
				x.x ±0.30	CHECK	DATE	SIZE	A4	TITLE:
				x.xx ±0.30	APPROVE	DATE	SHEET	1/2	2.0mm Auto-Conn, Female ,Crimp Terminal
				Angle ± 3°			PROJ.	⌀	Customer NO.
				DIM TOL					

# WCON

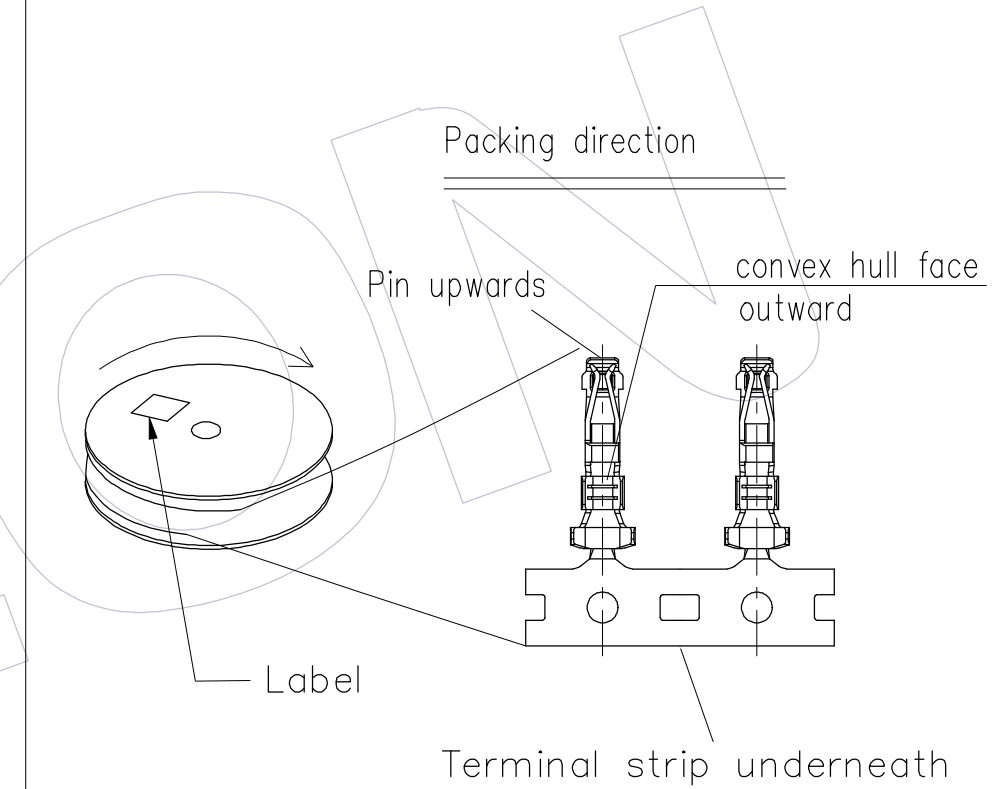
Http: www.wcon.com


WCON-Dongguan Tel: +86 769 85358920 Fax: +86 769 85358915 E-mail: sales@wcon.com	WCON-Kunshan Tel: +86 512 57468408 Fax: +86 512 57468468 E-mail: salesks@wcon.com
-------------------------------------------------------------------------------------------	--------------------------------------------------------------------------------------------

**HSF**



M" TYPE TERMINAL APPLICABLE WIRE TECHNICAL PARAMETERS:  
 1: CONDUCTOR SIZE( mm<sup>2</sup>): 0.35 to 0.13  
 2: INSULATION OD(mm):  $\phi 0.9 \sim \phi 1.50$   
 3: WIRE DIAMETER: 22AWG~26AWG



				OPERATION	DRAW	DATE	SCALE	Fit	PART NO.	 Http: www.wcon.com WCON-Dongguan Tel: +86 769 85358920 WCON-Kunshan Tel: +86 512 57468408 Fax: +86 769 85358915 Fax: +86 512 57468468 E-mail: sales@wcon.com E-mail: salesks@wcon.com
				x. ±0.30	Milo	2022/08/30	UNIT	mm	WF2010-TCXX01	
				x.x ±0.30	CHECK	DATE	SIZE	A4	TITLE:	
				x.xx ±0.30			SHEET	2/2	2.0mm Auto-Conn, Female ,Crimp Terminal	
				Angle ± 3°	APPROVE	DATE	PROJ.	⌀	Customer NO.	
REV	DATE	MODIFICATION DESCRIPTION	CHANGE	DIM TOL						