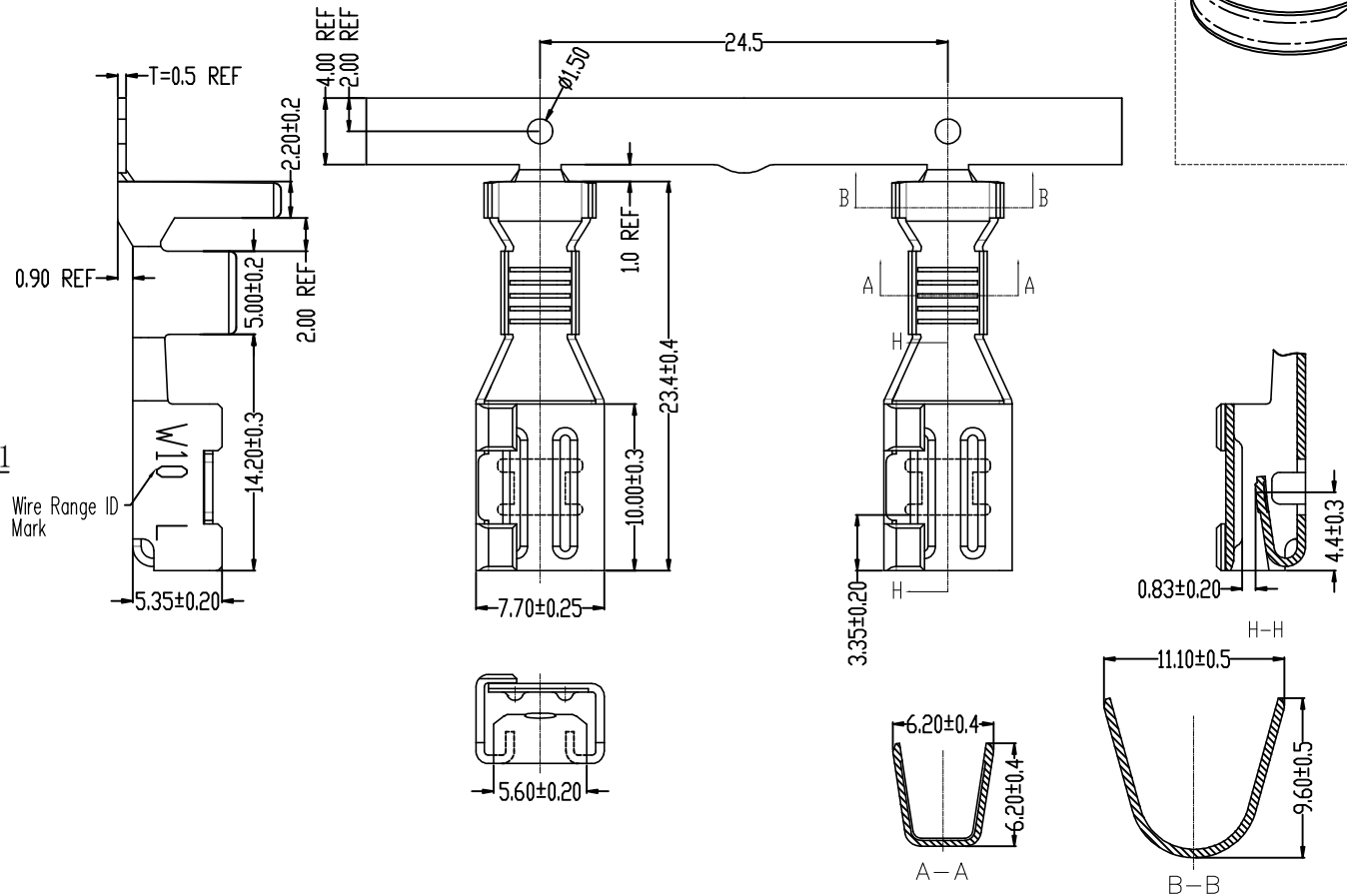
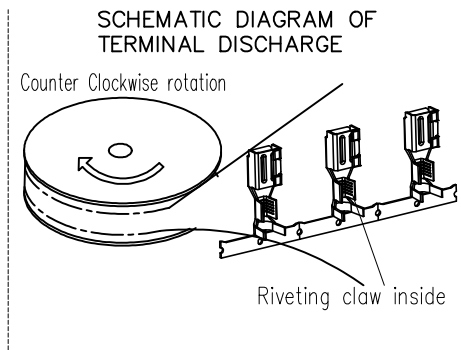


HSF

NOTES:

1. Current Rating: 30A Max;
2. Contact Resistance: 2.5mΩ Max;
3. Operating Temperature: -40°C to +125°C;
4. Contact Material: Copper Alloy;
5. Contact plating:
S4: 15μ" Gold on contact area (See ordering information),
50μ" Nickel underplating overall;
6. Wire Size Range: 8AWG;
7. Insulation range: 4.9-7.8mm;



Ordering Information

WD10160- 3 T D4 08 S4 01

3=Cutting + Electroplate+Forming

Terminal

Material: C=C19400

Wire Size Range: 08AWG

Contact Plating: S4=15μ" Gold/Ni

WCON internal code

Wire Range ID Mark

1	2021. 11. 30	NEW	CHANGE	OPERATION		DRAW shichun	DATE 2021. 11. 30	SCALE UNIT	FIT mm	PART NO. WD10160-3TD408S401		
				x.X	±0.40						CHECK	DATE
				x.XX	±0.25							
				x.XXX	±0.15							
REV	DATE	MODIFICATION DESCRIPTION	CHANGE	Angle DIM	± 3' TOL	APPROVE	DATE	SHEET 1/1	PROJ.	TITLE: 10. 16mm DYNAMIC Type Female Crimp Terminal (8AWG)		

WCON
Http: www.wcon.com

WCON-Dongguan WCON-Kunshan
Tel: +86 769 85358920 Tel: +86 512 57468408
Fax: +86 769 85358915 Fax: +86 512 57468468
E-mail: sales@wcon.com E-mail: salesks@wcon.com