

# HSF

**NOTES:**

- 1.Voltage Rating: 250V AC/DC;
- 2.Withstand Voltage: 1500V AC;
- 3.Insulation Resistance: 100MΩ Min;
- 4.Operating Temperature: -40°C to +125°C;
- 5.Insulator Material: PBT,G.F,UL94V-O,BK;

Matching parts	
Housing	Wiring terminal
WD2500-1H02B001X	WD3500-TPXXSN01 WD3500-3TPXXS401 XX:18~30Awg

## Ordering Information

WD2500-1 H 02 B 0 01 X

1=Single Row

H=HOUSING

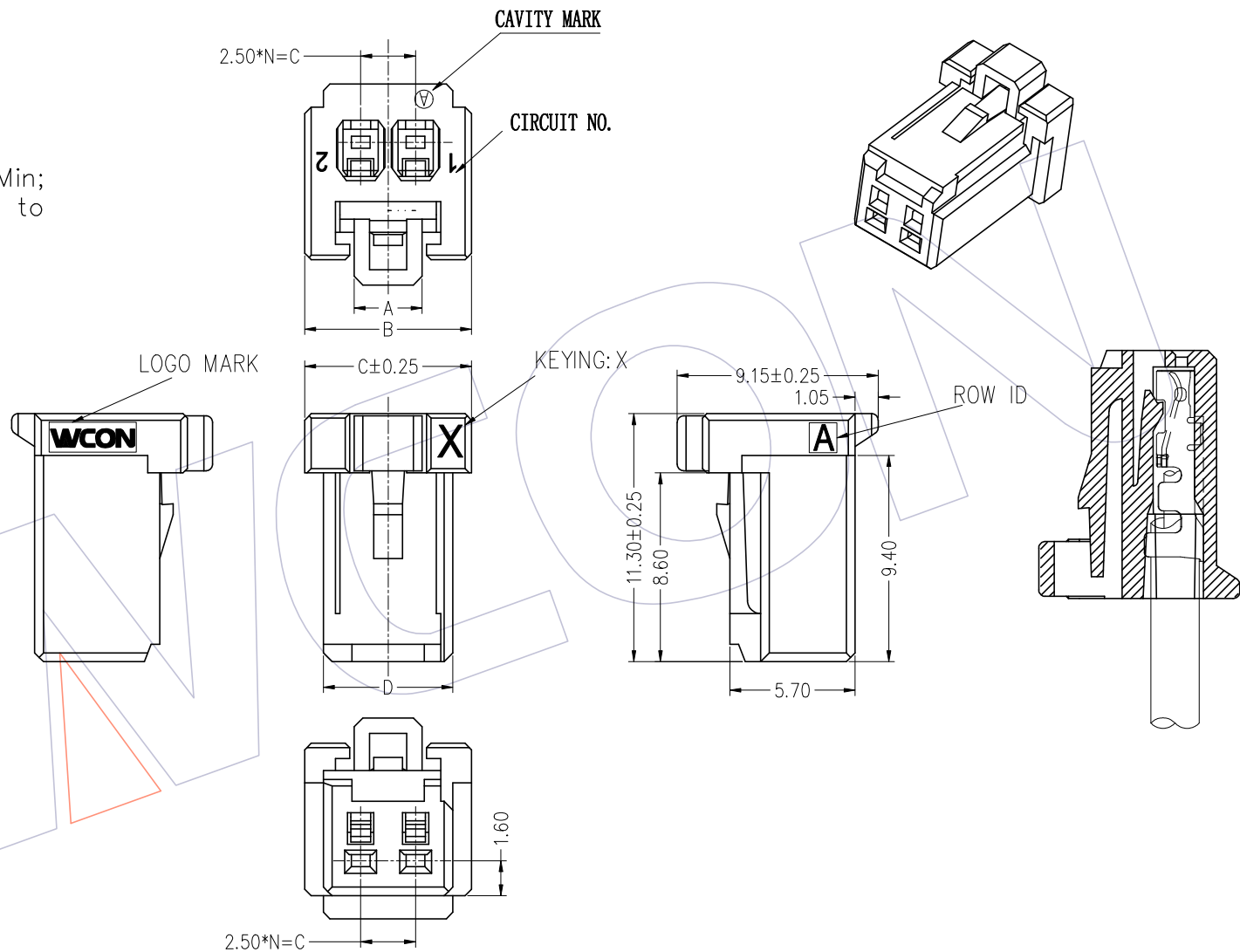
No.of Pins of single row:  
02=2P;

Color:  
B=Black;

PACKING:PE Bag

X Fool-proofing =01

W: With logo  
blank: without logo



WD2500-1H02B001(W)	2	X	1	3.1	7.6	2.5	5.9
P/N	PIN	KEY	n	A	B	C	D

REV	DATE	MODIFICATION DESCRIPTION	CHANGE	OPERATION		DRAW kevin-xin	DATE 2023.08.02	SCALE	FIT	PART NO. WD2500-1H02B001(W)
				X.X	±0.40			UNIT	mm	
A0	2023.08.02	Add the cable terminal material number	—	X.XX	±0.25	CHECK	DATE	SIZE	A4	TITLE: 2.5X3.3mm DYNAMIC TYPE Single Row Socket Housing
1	2022.01.20	NEW	—	X.XXX	±0.15	APPROVE	DATE	SHEET	1/1	Customer NO.
				Angle DIM	± 3' TOL			PROJ.	⌀	

**WCON**  
Http: [www.wcon.com](http://www.wcon.com)

WCON-Dongguan Tel: +86 769 85358920 Fax: +86 769 85358915 E-mail: <a href="mailto:sales@wcon.com">sales@wcon.com</a>	WCON-Kunshan Tel: +86 512 57468408 Fax: +86 512 57468468 E-mail: <a href="mailto:salesks@wcon.com">salesks@wcon.com</a>
---	--