

# HSF

## NOTES:

- 1.Voltage Rating: 250V AC/DC;
- 2.Withstand Voltage: 1500V AC;
- 3.Insulation Resistance: 100MΩ Min;
- 4.Operating Temperature: -40°C to +125°C;
- 5.Insulator Material: PBT,G.F,UL94V-O,BK;

Matching parts	
Housing	Wiring terminal
WD2500-2HKXX0XX	WD3500-MTPXXSN01 WD3500-MTPXXS401 XX: 18~30Awg

## Ordering Information

WD2500-1 H K 02 X O X X

1=Single Row

H=HOUSING

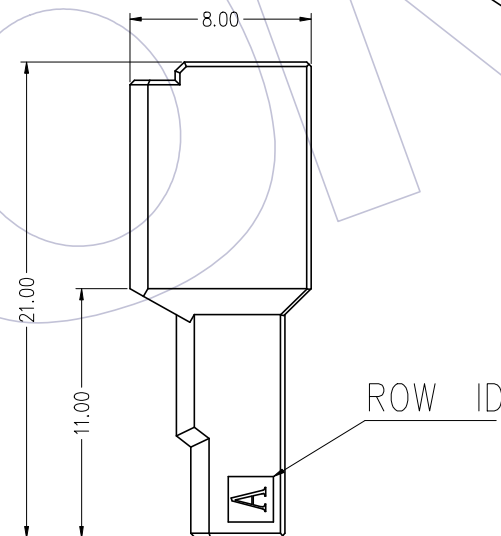
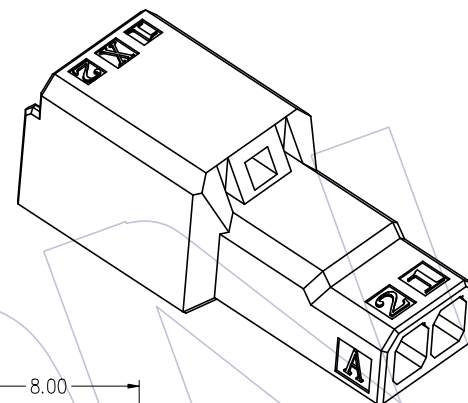
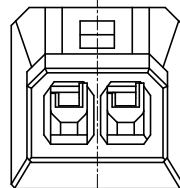
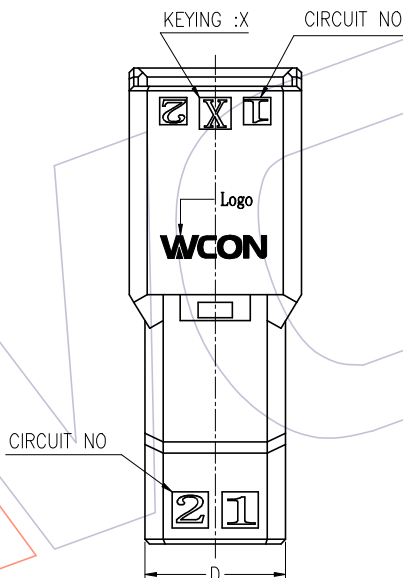
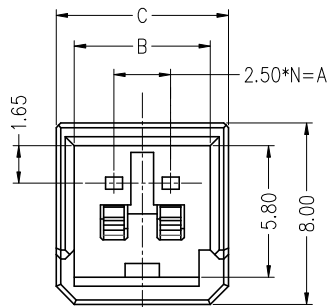
No.of Pins of single row:  
02=2P;

Color: \_\_\_\_\_  
B=Black; W=Natural;


PACKING:PE Bag

01= X Fool-proofing  
02= Y Fool-proofing

W: With logo  
blank: without logo



NATURAL	WD2500-1HK02N001X	2	X	1	2.5	6.0	7.6	6.2
BLACK	WD2500-1HK02B001X	2	X	1	2.5	6.0	7.6	6.2
COLOR	P/N	PIN	KEY	n	A	B	C	D

REV	DATE	MODIFICATION DESCRIPTION	CHANGE	OPERATION		DRAW kevin-xin	DATE 2023.08.02	SCALE	FIT	PART NO. WD2500-1HKXX0X (W)	 Http: www.wcon.com	
				x.x	±0.40							
A0	2023.08.02	Add the cable terminal material number	---	x.xx	±0.25	CHECK	DATE	UNIT	mm	TITLE: 2.5mm Dyn. TYPE Single Row Free Hanging Housing	WCON-Dongguan Tel: +86 769 85358920 Fax: +86 769 85358915 E-mail: sales@wcon.com	WCON-Kunshan Tel: +86 512 57468408 Fax: +86 512 57468468 E-mail: salesks@wcon.com
1	2022.07.25	NEW	---	x.xxx	±0.15	APPROVE	DATE	SIZE	A4	Customer NO.		
				Angle DIM	± 3' TOL			SHEET	1/1		PROJ.	⌀ ↗