

NOTES:

1.Material:

Housing:LCP,G.F,UL94V-O,BK

Contact/strip:Copper Alloy

2.Contact Plating:

xxu"Gold on contact area(See Ordering Information)

100u"Matte tin on solder area,

50u" Nickel underplating overall.

3.Ground strip:100u"Matte tin over 50u" Nickel.

4.Rated Current:12.0A Max

5.Contact Resistance:10mΩ max

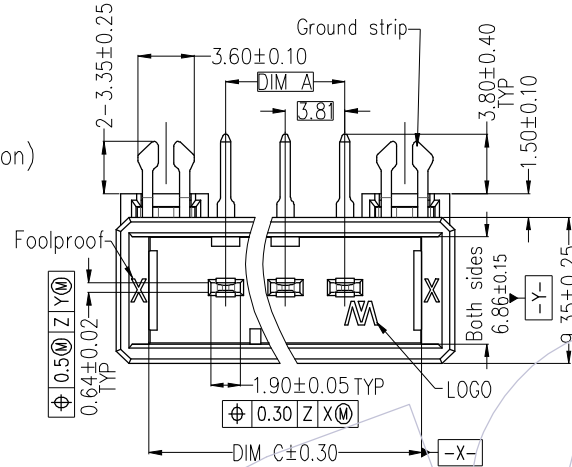
6.Withstand Voltage:1500V AC

7.Insulation Resistance:1000MΩ min

8.Operation Temperature:-55°C to +105°C

9.Soldering:Solder temperature:260±5°C

Solder time:5±1S



Pin	A	B	C	D
3	7.62	15.24	17.43	21.62
4	11.43	19.05	21.24	25.43
5	15.24	22.86	25.05	29.24
6	19.05	26.67	28.86	33.05
8	26.67	34.29	36.48	40.67
10	34.29	41.91	44.10	48.29

## Ordering Information

WD3810-1 WR XX XX B T XX W

1=Single Row

WR=90°DIP

No. of pins per row:

03=3P 04=4P

05=5P 06=6P

08=8P 10=10P

Contact Plated:

SM=Matte Tin

W1=Sel.3u"Gold/Matte Tin

W4=Sel.15u"Gold/Matte Tin

W5=Sel.30u"Gold/Matte Tin

W=W/T W Logo

Blank=W/O W Logo

Foolproof

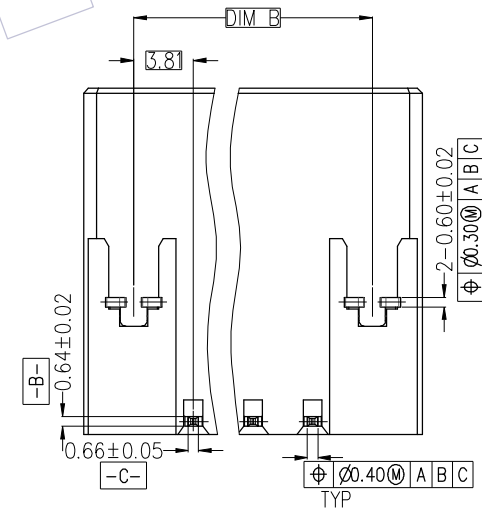
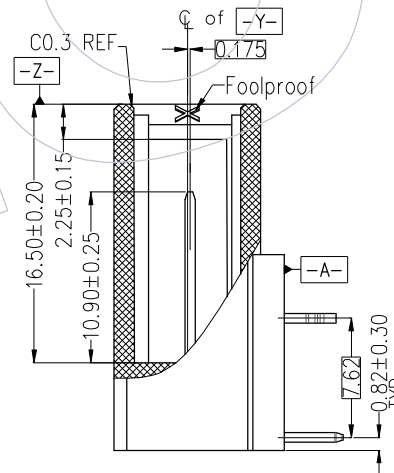
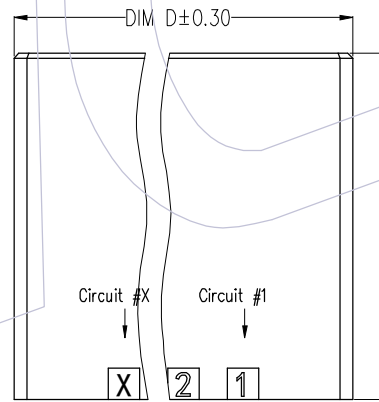
01=X Code

02=Y Code

T=Tube

Housing Color

B=Black



REV	DATE	MODIFICATION DESCRIPTION	CHANGE	OPERATION		DRAW XSR	DATE 2022/06/23	SCALE UNIT mm	FIT A4	PART NO. WD3810-1WRXXXBTXX(W)
				x.x	±0.40					
A1	2022/06/23	Cancel W2,W3; ADD W1	XSR	x.xx	±0.25	CHECK	DATE	SIZE A4	TITLE: 3.81mm Dyn· (T Type)Single Row 90°DIP with Ground strip	Customer NO.
A0	2021/06/11	NEW	XSR	x.xxx	±0.15	APPROVE	DATE	SHEET 1/3		
				Angle	± 3°			PROJ.		
				DIM	TOL					

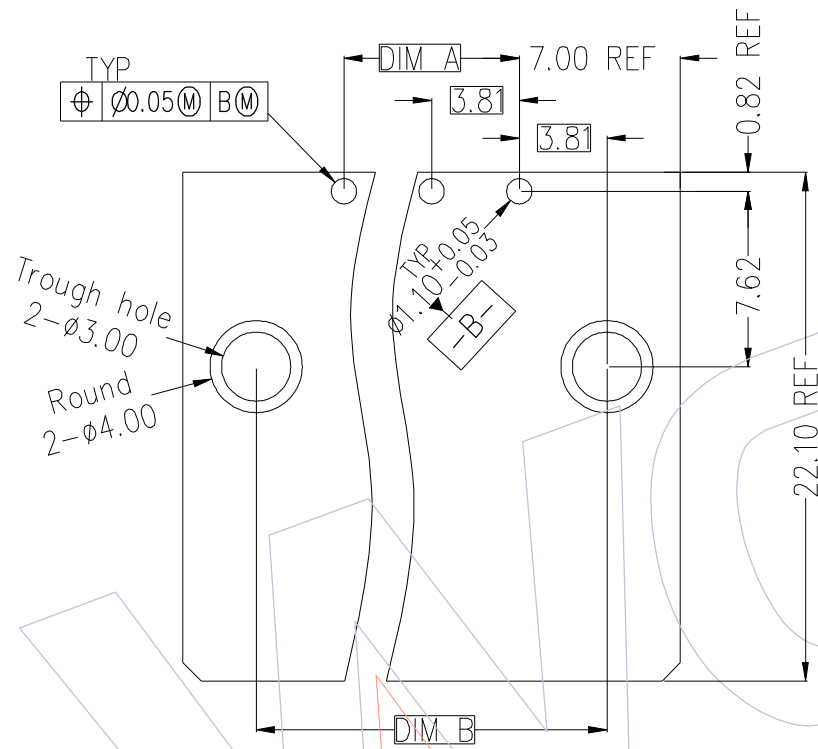
# WCON

Http: www.wcon.com

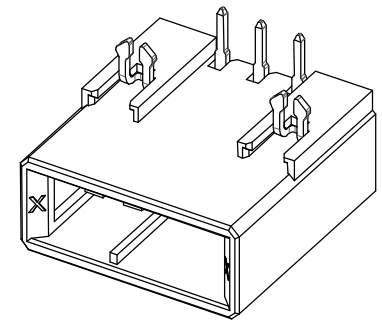
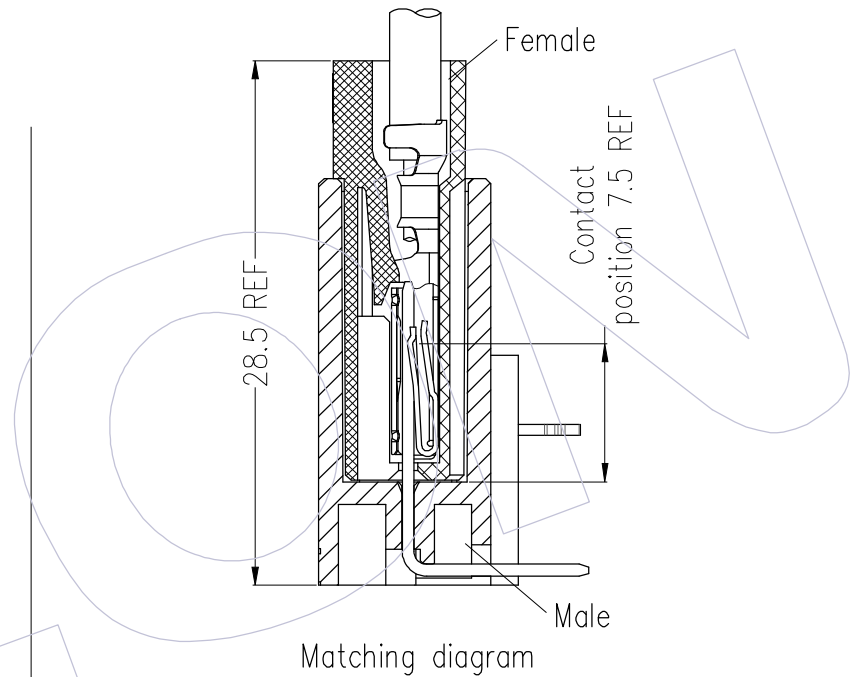
WCON-Dongguan  
Tel: +86 769 85358920  
Fax: +86 769 85358915  
E-mail: sales@wcon.com

WCON-Kunshan  
Tel: +86 512 57468408  
Fax: +86 512 57468468  
E-mail: salesks@wcon.com

# HSF



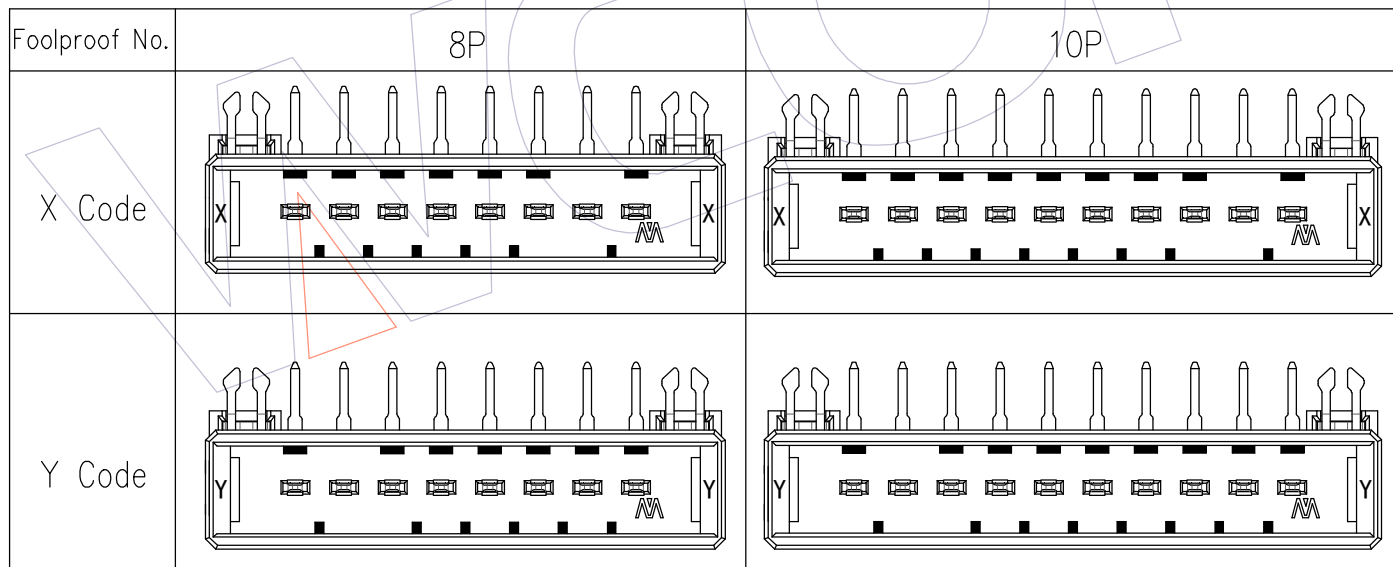
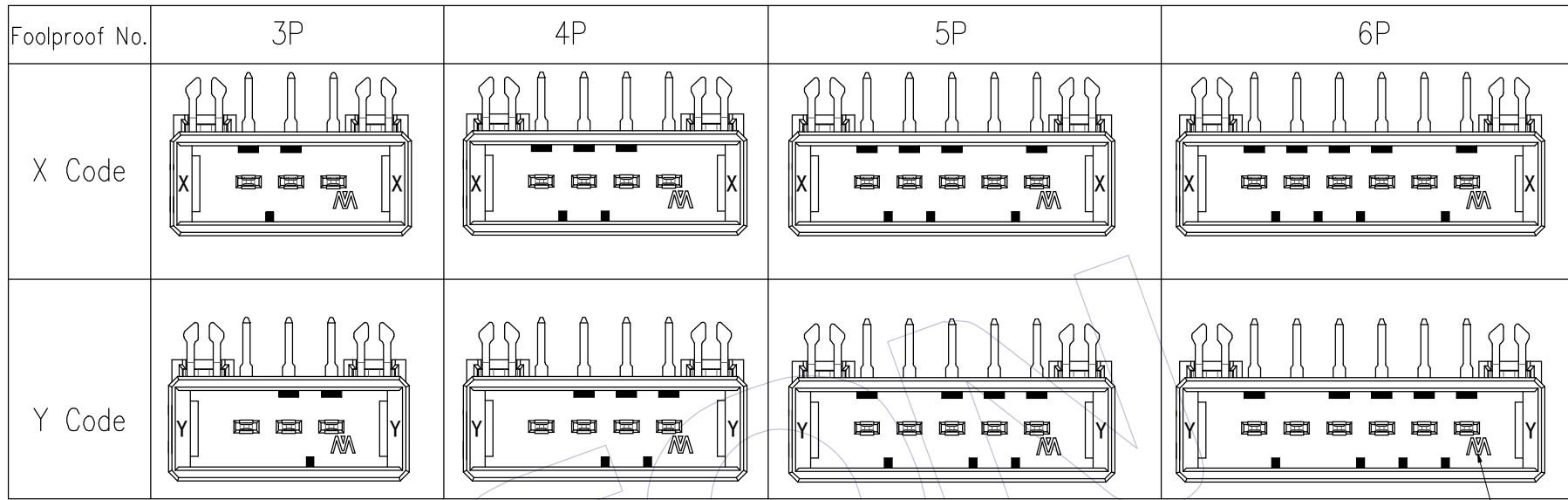
Recommended P.C.B Layout (Top Side)  
(PCB BOARD TOLERANCE ±0.05)



				OPERATION		DRAW		DATE		SCALE		FIT		PART NO.	
				x.x	±0.40	XSR		2022/06/23		UNIT	mm			WD3810-1WRXXXBTXX(W)	
A1	2022/06/23	Cancel W2,W3; ADD W1		XSR	±0.25	CHECK		DATE		SIZE	A4	TITLE: 3.81mm Dyn. (T Type) Single Row 90°DIP with Ground strip			
A0	2021/06/11	NEW		XSR	±0.15			DATE		SHEET	2/3	Customer NO.			
REV	DATE	MODIFICATION DESCRIPTION		CHANGE	Angle ± 3°	APPROVE		DATE		PROJ.	⌀				
					DIM TOL										

**WCON**  
[Http: www.wcon.com](http://www.wcon.com)  
 WCON-Dongguan Tel: +86 769 85358920 Fax: +86 769 85358915 E-mail: sales@wcon.com  
 WCON-Kunshan Tel: +86 512 57468408 Fax: +86 512 57468468 E-mail: salesks@wcon.com

# HSF



LOGO

				OPERATION	DRAW	DATE	SCALE	FIT	PART NO.
				x.x	XSR	2022/06/23	UNIT	mm	WD3810-1WRXXXBTXX(W)
A1	2022/06/23	Cancel W2,W3; ADD W1	XSR	x.xx	CHECK	DATE	SIZE	A4	TITLE:
A0	2021/06/11	NEW	XSR	x.xxx	APPROVE	DATE	SHEET	3/3	3.81mm Dyn. (T Type) Single Row 90°DIP with Ground strip
REV	DATE	MODIFICATION DESCRIPTION	CHANGE	Angle DIM			PROJ.	⊕	Customer NO.
				±0.40					
				±0.25					
				±0.15					
				± 3°					
				TOL					

## WCON

Http: www.wcon.com

WCON-Dongguan Tel: +86 769 85358920 Fax: +86 769 85358915 E-mail: sales@wcon.com	WCON-Kunshan Tel: +86 512 57468408 Fax: +86 512 57468468 E-mail: salesks@wcon.com
---	--