

NOTES:

1. Material:
 - Housing: LCP, G.F, UL94V-0, BK
 - Contact/strip: Copper Alloy
2. Contact Plating:
 - xxu" Gold on contact area (See Ordering Information)
 - 100u" Matte tin on solder area,
 - 50u" Nickel underplating overall.
3. Ground strip: 100u" Matte tin over 50u" Nickel.
4. Rated Current: 12.0A Max
5. Contact Resistance: 10mΩ max
6. Withstand Voltage: 1500V AC
7. Insulation Resistance: 1000MΩ min
8. Operation Temperature: -55°C to +105°C
9. Soldering: Solder temperature: 260±5°C
Solder time: 5±1S

Ordering Information

WD3810-1 WS XX XX B T XX W

1=Single Row

WS=180°DIP

No. of pins per row:

- 03=3P 04=4P
- 05=5P 06=6P
- 08=8P 10=10P

Contact Plated:

- SM=Matte Tin
- W1=Sel. 3u" Gold/Matte Tin
- W4=Sel. 15u" Gold/Matte Tin
- W5=Sel. 30u" Gold/Matte Tin

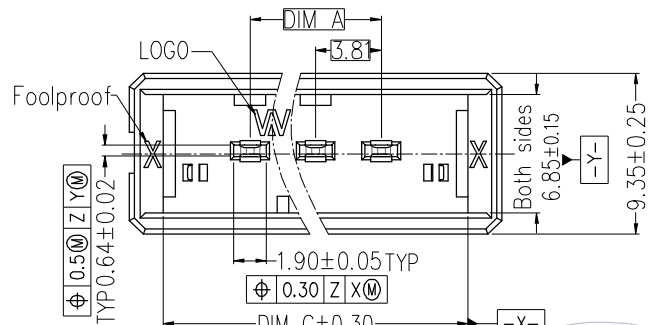
W=W/T W Logo
Blank=W/O W Logo

Foolproof

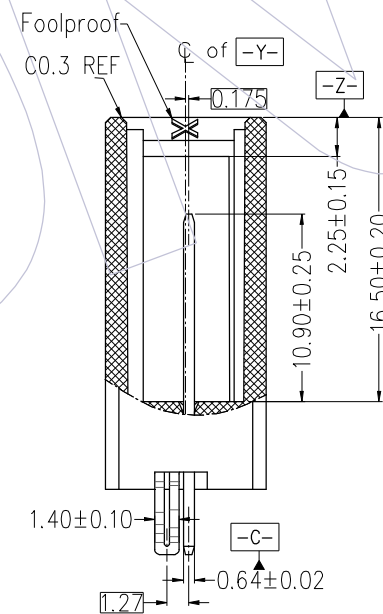
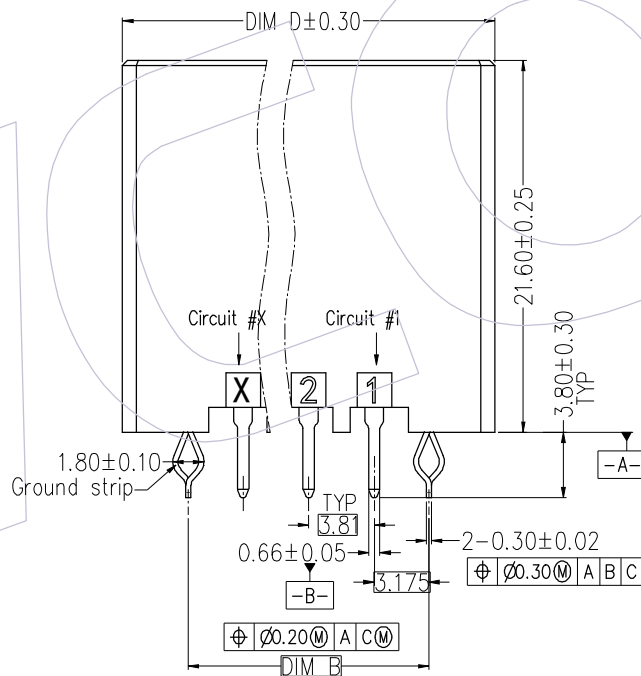
- 01=X Code
- 02=Y Code

T=Tube

Housing Color
B=Black



| Pin | A | B | C | D |
|-----|-------|-------|-------|-------|
| 3 | 7.62 | 13.97 | 17.72 | 21.62 |
| 4 | 11.43 | 17.78 | 21.53 | 25.43 |
| 5 | 15.24 | 21.59 | 25.34 | 29.24 |
| 6 | 19.05 | 25.40 | 29.15 | 33.05 |
| 8 | 26.67 | 33.02 | 36.77 | 40.67 |
| 10 | 34.29 | 40.64 | 44.39 | 48.29 |



| REV | DATE | MODIFICATION DESCRIPTION | CHANGE | OPERATION | DRAW | DATE | SCALE | FIT | PART NO. |
|-----|------------|--------------------------|--------|-------------|---------|------------|-------|-----|---|
| | | | | x.x ±0.40 | XSR | 2022/06/23 | UNIT | mm | WD3810-1WSXXXXBTXX(W) |
| A1 | 2022/06/23 | Cancel W2,W3; ADD W1 | XSR | x.xx ±0.25 | CHECK | DATE | SIZE | A4 | TITLE: |
| AO | 2021/06/11 | NEW | XSR | x.xxx ±0.15 | APPROVE | DATE | SHEET | 1/3 | 3.81mm Dyn· (T Type) Single Row 180°DIP with Ground strip |
| | | | | Angle ± 3° | | | PROJ. | | Customer NO. |
| | | | | DIM TOL | | | | | |

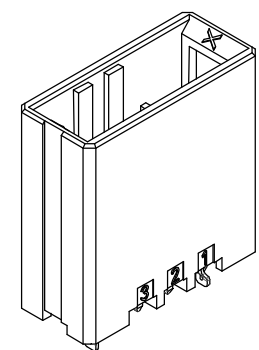
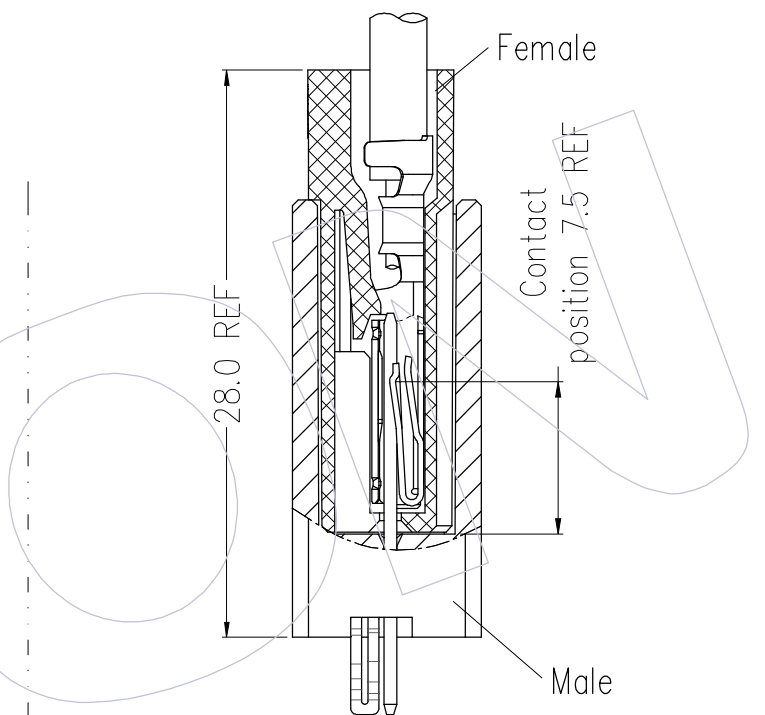
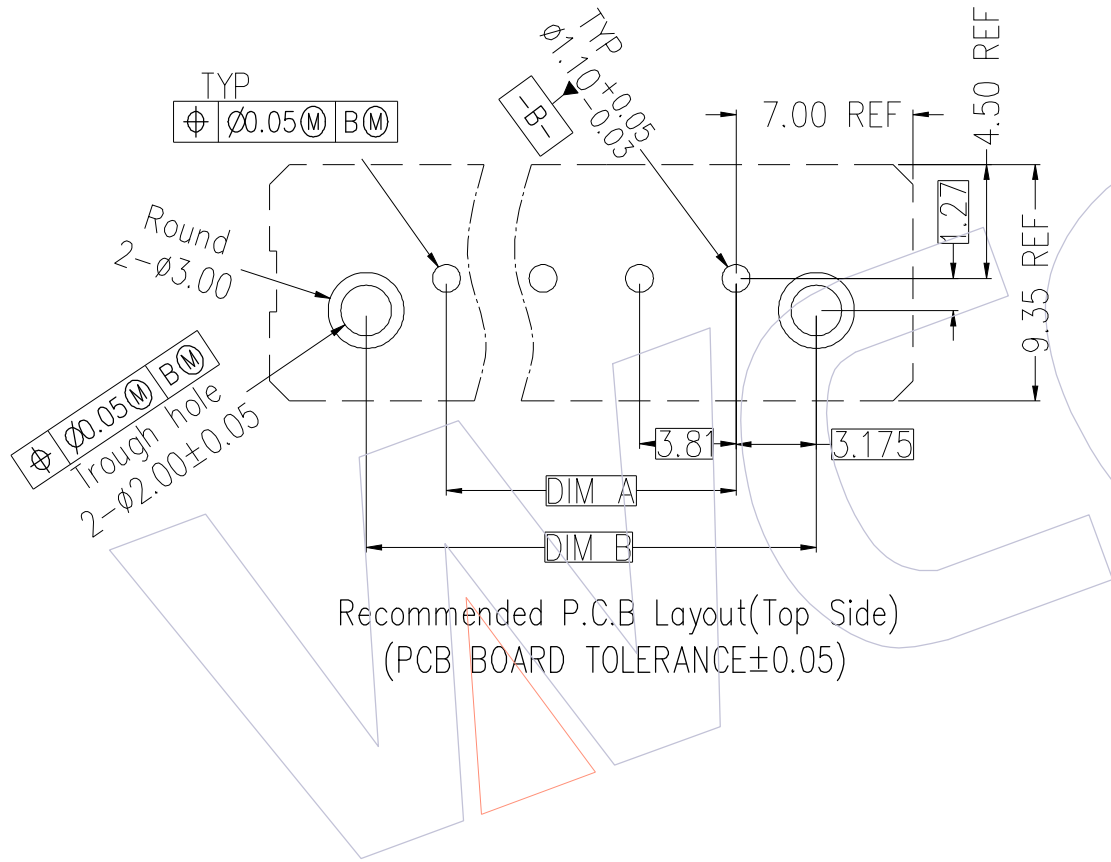
WCON

Http: www.wcon.com

WCON-Dongguan
Tel: +86 769 85358920
Fax: +86 769 85358915
E-mail: sales@wcon.com

WCON-Kunshan
Tel: +86 512 57468408
Fax: +86 512 57468468
E-mail: salesks@wcon.com

HSF

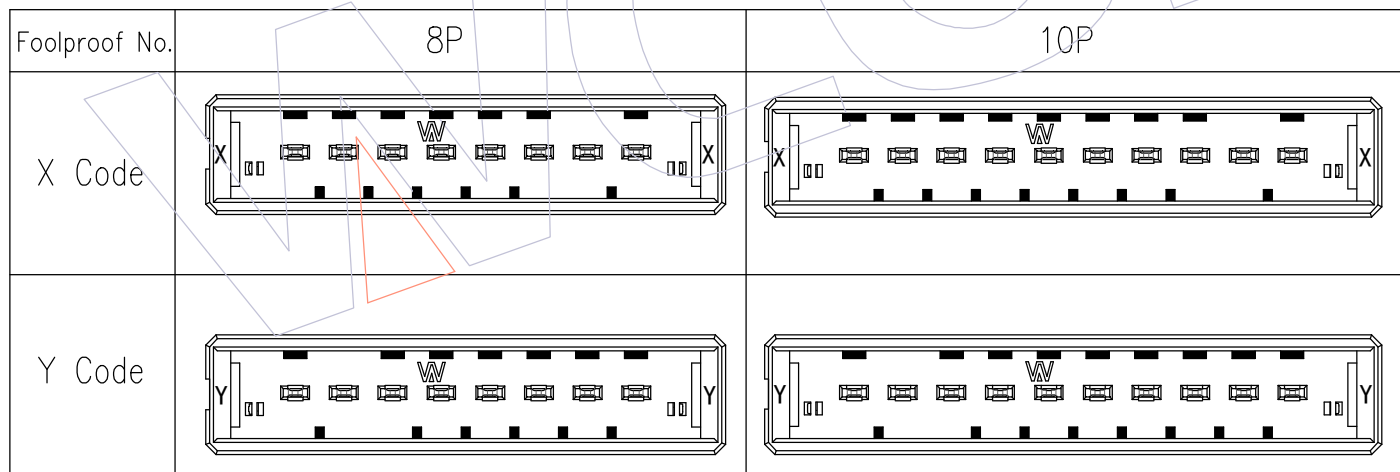
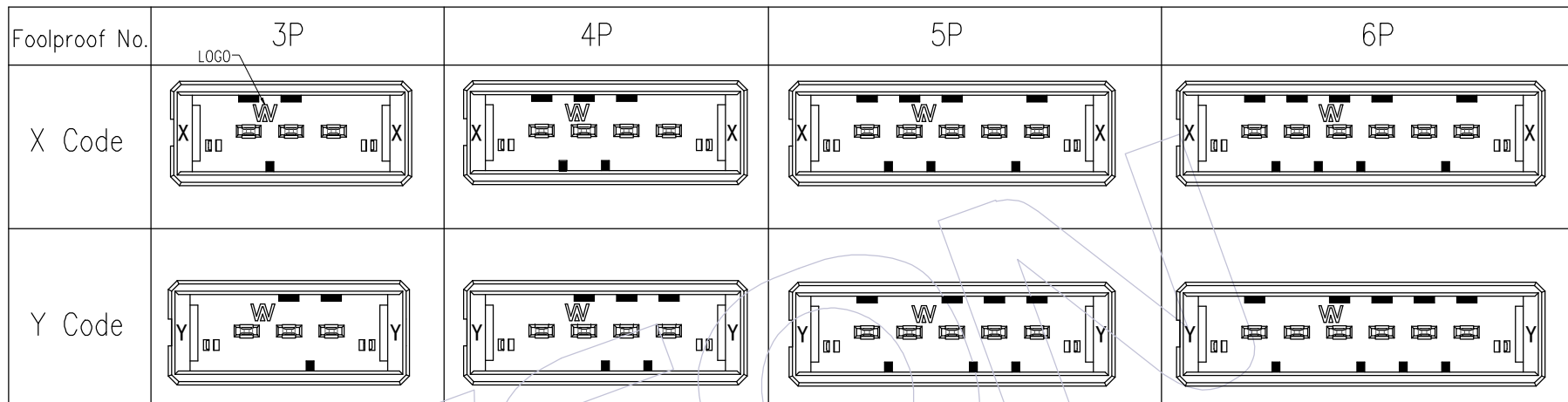



| REV | DATE | MODIFICATION DESCRIPTION | CHANGE | OPERATION | | DRAW | DATE | SCALE | FIT | PART NO. |
|-----|------------|--------------------------|--------|-----------|-------|---------|------|-------|--------------|---|
| | | | | x.x | ±0.40 | | | | | |
| A1 | 2022/06/23 | Cancel W2,W3; ADD W1 | XSR | x.xx | ±0.25 | CHECK | DATE | SIZE | A4 | TITLE: |
| A0 | 2021/06/11 | NEW | XSR | x.xxx | ±0.15 | APPROVE | DATE | SHEET | 2/3 | 3.81mm Dyn. (T Type) Single Row 180°DIP with Ground strip |
| | | | | Angle | ± 3' | | | PROJ. | Customer NO. | |
| | | | | DIM | TOL | | | | | |

WCON
Http: www.wcon.com

| | |
|---|--|
| WCON-Dongguan Tel: +86 769 85358920 Fax: +86 769 85358915 E-mail: sales@wcon.com | WCON-Kunshan Tel: +86 512 57468408 Fax: +86 512 57468468 E-mail: salesks@wcon.com |
|---|--|

HSF



| | | | | | | | | | | |
|-----|------------|--------------------------|--------|-----------------------------|---------|------------|-------|-----|---|---|
| | | | | OPERATION | DRAW | DATE | SCALE | FIT | PART NO. |  Http: www.wcon.com |
| | | | | x.x ±0.40 | XSR | 2022/06/23 | UNIT | mm | WD3810-1WSXXXBTXX(W) | |
| A1 | 2022/06/23 | Cancel W2,W3; ADD W1 | XSR | x.xx ±0.25 | CHECK | DATE | SIZE | A4 | TITLE: | WCON-Dongguan WCON-Kunshan Tel: +86 769 85358920 Tel: +86 512 57468408 Fax: +86 769 85358915 Fax: +86 512 57468468 E-mail: sales@wcon.com E-mail: salesks@wcon.com |
| A0 | 2021/06/11 | NEW | XSR | x.xxx ±0.15 | APPROVE | DATE | SHEET | 3/3 | 3.81mm Dyn. (T Type) Single Row 180°DIP with Ground strip | |
| REV | DATE | MODIFICATION DESCRIPTION | CHANGE | Angle ± 3° DIM TOL | | | PROJ. | | Customer NO. | |