

NOTES:

- Material:
Housing: LCP, G.F, UL94V-0, BK
Contact/strip: Copper Alloy
- Contact Plating:
xxu"Gold on contact area(See Ordering Information)
100u"Matte tin on solder area,
50u" Nickel underplating overall.
- Ground strip: 100u"Matte tin over 50u" Nickel.
- Rated Current: 12.0A Max
- Contact Resistance: 10mΩ max
- Withstand Voltage: 1500V AC
- Insulation Resistance: 1000MΩ min
- Operation Temperature: -55°C to +105°C
- Soldering: Solder temperature: 260±5°C
Solder time: 5±1S

Ordering Information

WD3810-1 WZ XX XX B T XX W

1=Single Row

WZ=90°SMT

No. of pins per row:

05=5P

08=8P

Contact Plated:

SM=Matte Tin

W1=Sel.3u"Gold/Matte Tin

W4=Sel.15u"Gold/Matte Tin

W5=Sel.30u"Gold/Matte Tin

W=W/T W Logo

Blank=W/O W Logo

Foolproof

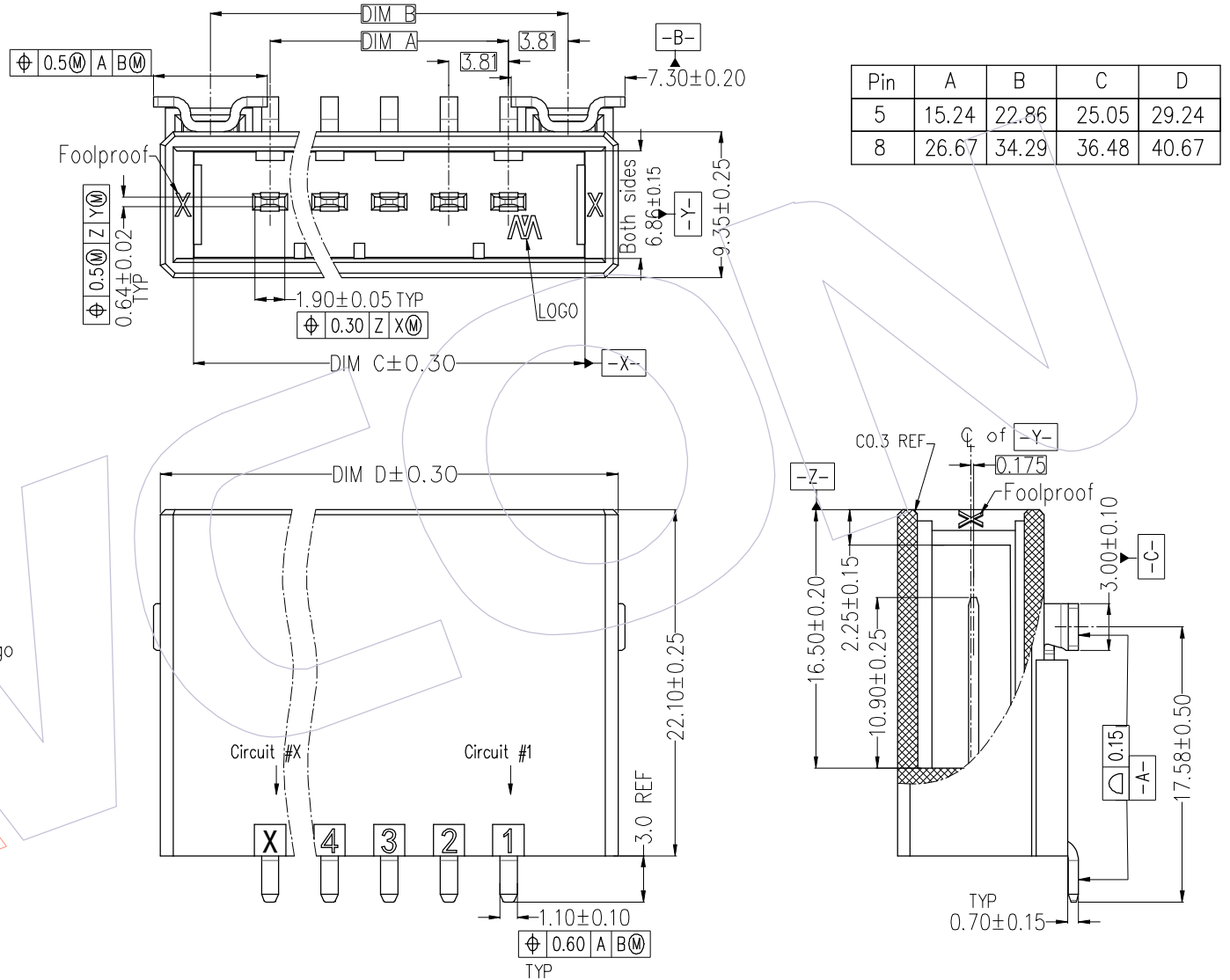
01=X Code

02=Y Code

T=Tube

Housing Color

B=Black

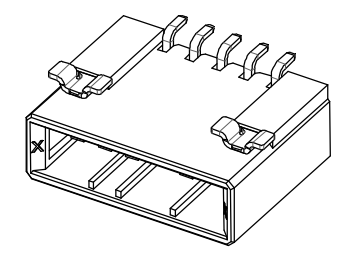
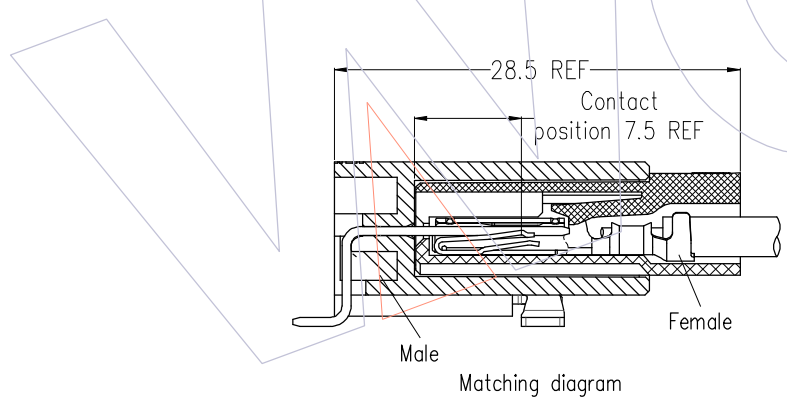
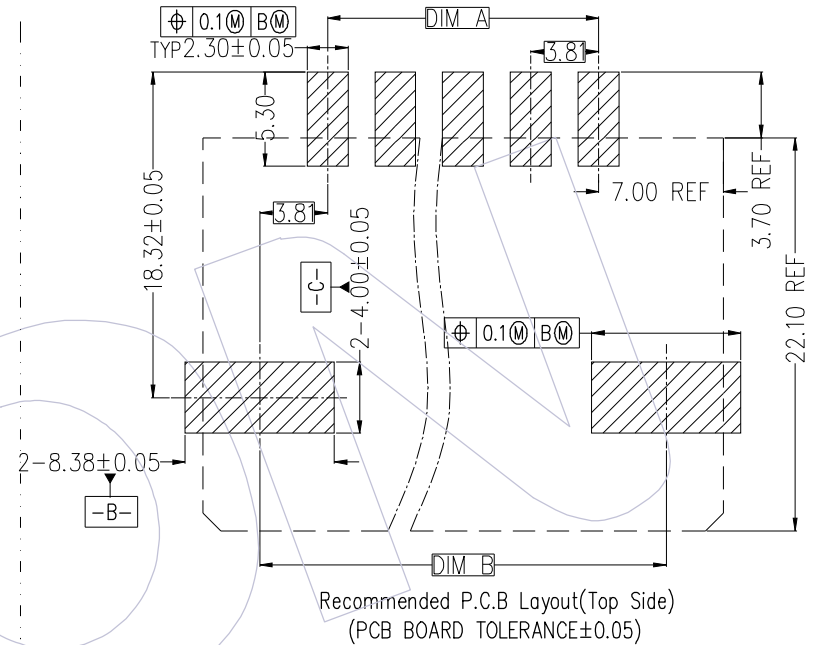
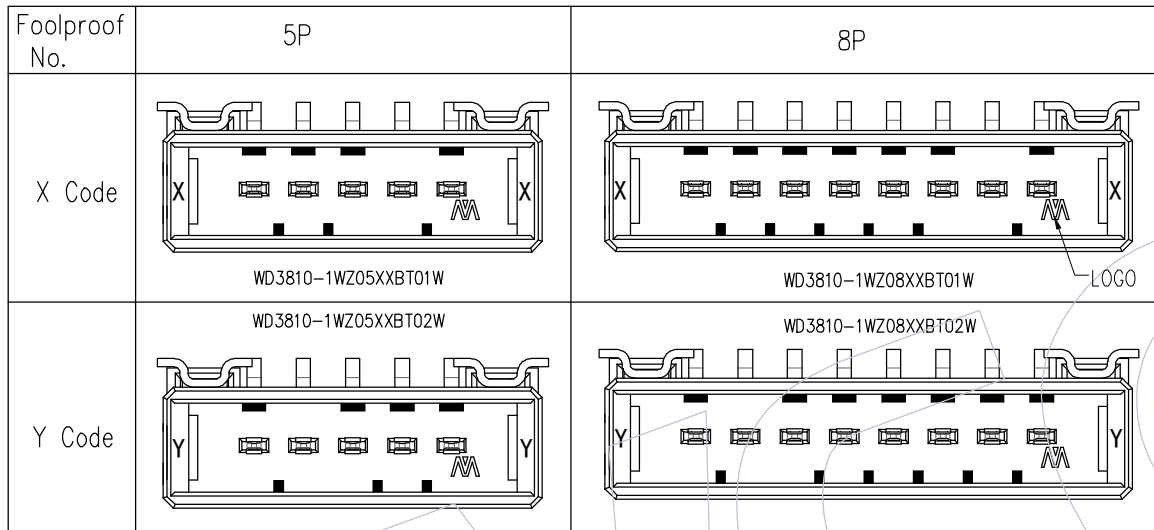


OPERATION	DRAW	DATE	SCALE	FIT	PART NO.
x.x ±0.40	XSR	2022/06/23	UNIT	mm	WD3810-1WZXXXBTXX(W)
x.xx ±0.25	CHECK	DATE	SIZE	A4	TITLE:
x.xxx ±0.15	APPROVE	DATE	SHEET	1/2	3.81mm Dyn- (T Type)Single Row 90°SMT with Ground strip
Angle ± 3°			PROJ.		Customer NO.
DIM TOL					

WCON
[Http: www.wcon.com](http://www.wcon.com)
 WCON-Dongguan Tel: +86 769 85358920
 WCON-Kunshan Tel: +86 512 57468408
 Fax: +86 769 85358915
 Fax: +86 512 57468468
 E-mail: sales@wcon.com
 E-mail: salesks@wcon.com

REV	DATE	MODIFICATION DESCRIPTION	CHANGE
A1	2022/06/23	Cancel W2,W3; ADD W1	XSR
AO	2021/06/21	NEW	XSR

HSF



REV	DATE	MODIFICATION DESCRIPTION	CHANGE	OPERATION	DRAW	DATE	SCALE	FIT	PART NO.
A1	2022/06/23	Cancel W2,W3; ADD W1	XSR	x.x ±0.40	XSR	2022/06/23	UNIT	mm	WD3810-1WZXXXBTXX(W)
AO	2021/06/21	NEW	XSR	x.xx ±0.25	CHECK	DATE	SIZE	A4	TITLE:
				x.xxx ±0.15	APPROVE	DATE	SHEET	2/2	3.81mm Dyn. (T Type)Single Row 90°SMT with Ground strip
				Angle ± 3°			PROJ.	Customer NO.	
				DIM TOL					

WCON

Http: www.wcon.com

WCON-Dongguan Tel: +86 769 85358920 Fax: +86 769 85358915 E-mail: sales@wcon.com	WCON-Kunshan Tel: +86 512 57468408 Fax: +86 512 57468468 E-mail: salesks@wcon.com
---	--