

HSF

NOTES:
 Rated Voltage: 250V.
 Withstand Voltage: 1500V AC
 Insulation Resistance: 1000MΩ Min.
 Operation Temperature: -55℃ to +105℃
 Material: PBT+G.F. UL94V-0, Black
 Mating Terminal: WD3810-3TD3XXXXXX

Ordering Information

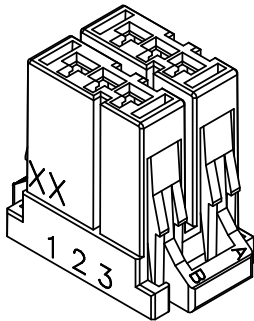
WD3811 -2 H 03 B 0 XX X

Row: 2=Dual
 Receptacle Housing
 No of Pins Per Row: 03=3Pin
 Housing Color: B=Black

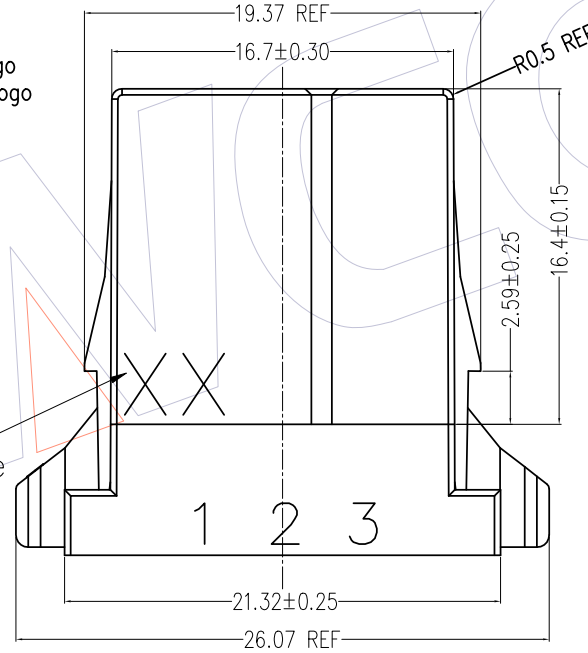
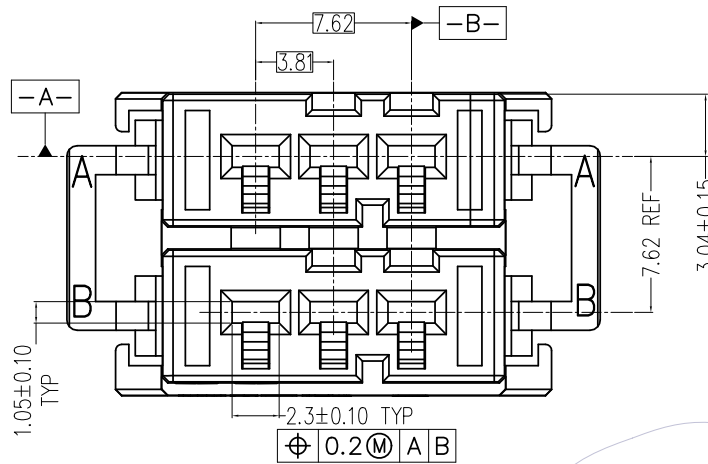
W="Wcon" logo
 M=Customer logo
 Blank=Without logo

Foolproof Type:
 04=XX
 05=YY
 06=XY

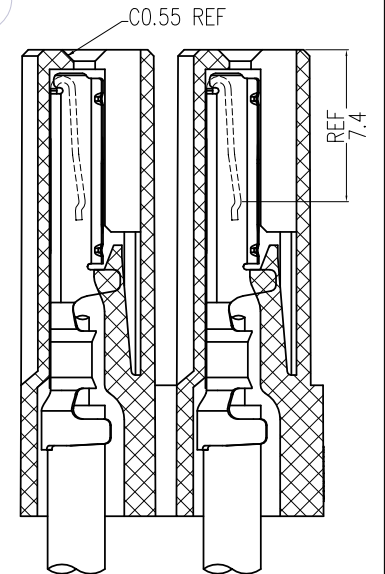
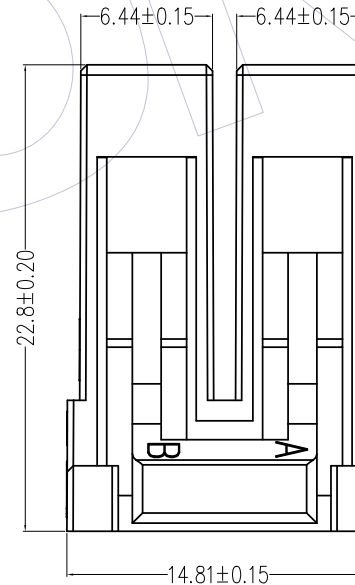
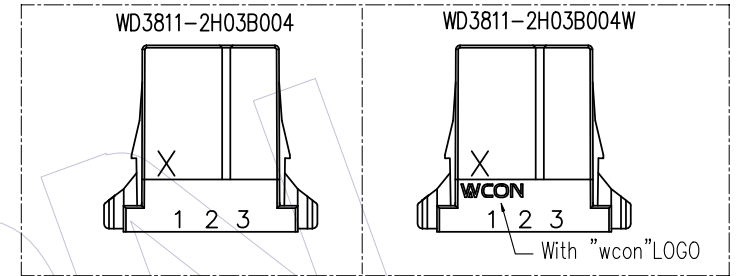
Packing 0=PE Bag



Foolproof code



Part.NO	WD3811-2H03B004X	WD3811-2H03B005X	WD3811-2H03B006X
Code	XX	YY	XY
Fool-proofing diagram			



				OPERATION	DRAW	DATE	SCALE	Fit	PART NO.
				x.x ±0.40	OHJ	2021.06.23	UNIT	mm	WD3811-2H03B0XXX
				x.xx ±0.25	CHECK	DATE	SIZE	A4	TITLE:
				x.xxx ±0.15	APPROVE	DATE	SHEET	1/1	3.81*7.62mm Dyn. Housing
AO	2021.06.23	NEW		Angle ± 3°			PROJ.	Customer NO.	
REV	DATE	MODIFICATION DESCRIPTION	CHANGE	DIM	TOL				

WCON

Http: www.wcon.com

WCON-Dongguan Tel: +86 769 85358920 Fax: +86 769 85358915 E-mail: sales@wcon.com
 WCON-Kunshan Tel: +86 512 57468408 Fax: +86 512 57468468 E-mail: salesks@wcon.com