

NOTES:

1. Material:  
Housing: LCP, G.F, UL94V-0, BK  
Contact/strip: Copper Alloy
2. Contact Plating:  
xxu" Gold on contact area (See Ordering Information)  
100u" Matte tin on solder area,  
50u" Nickel underplating overall.
3. Ground strip: 100u" Matte tin over 50u" Nickel.
4. Rated Current: 12.0A Max
5. Contact Resistance: 10mΩ max
6. Withstand Voltage: 1500V AC
7. Insulation Resistance: 1000MΩ min
8. Operation Temperature: -55°C to +105°C
9. Soldering: Solder temperature: 260±5°C  
Solder time: 5±1S

## Ordering Information

WD3811-2 WS 03 XX B A XX W

2=Double-deck

WS=180°DIP

No. of pins per row:  
03=3P

Contact Plated:

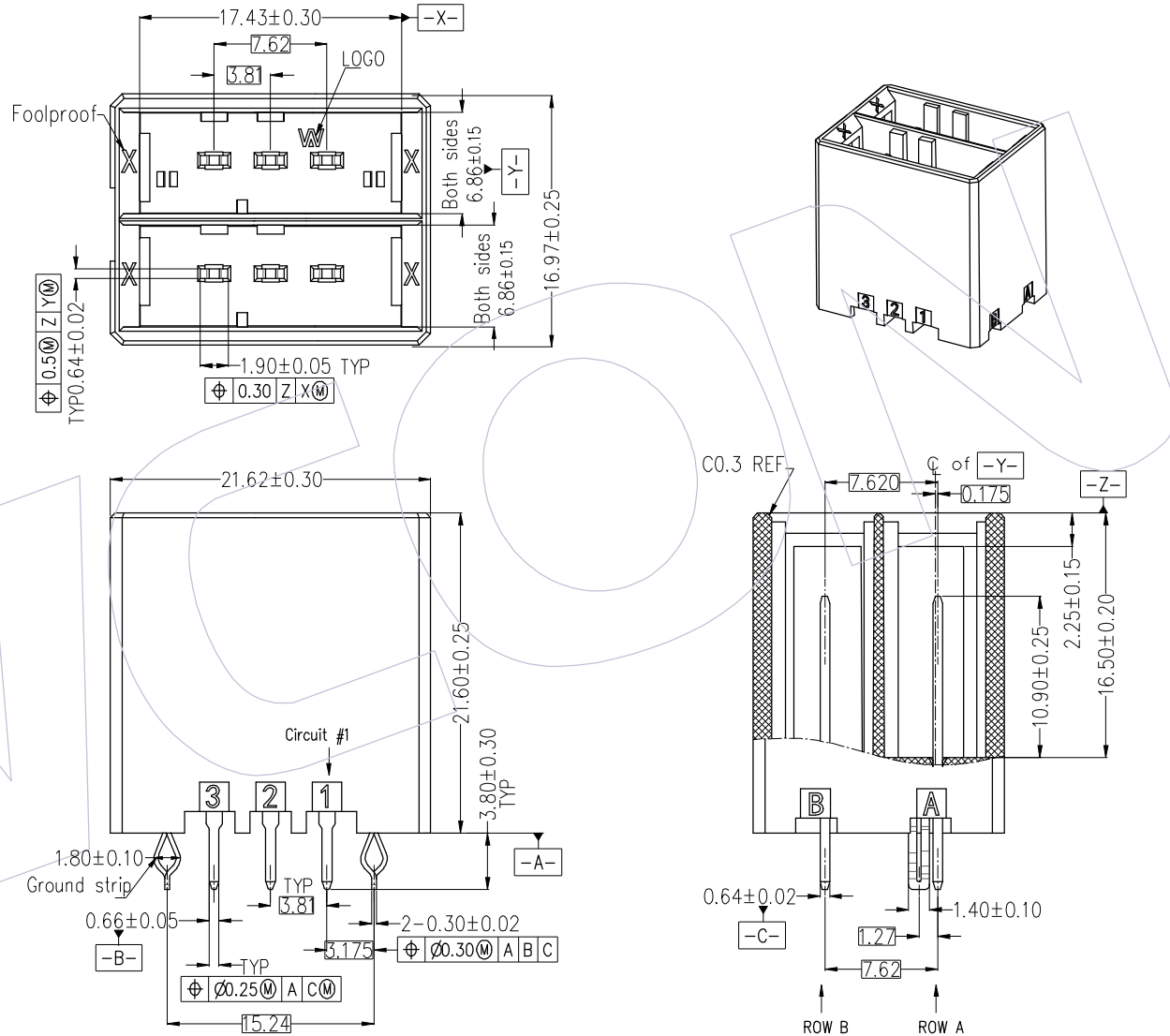
- SM=Matte Tin
- W1=Sel. 3u" Gold/Matte Tin
- W4=Sel. 15u" Gold/Matte Tin
- W5=Sel. 30u" Gold/Matte Tin

W=W/T W Logo  
Blank=W/O W Logo

Foolproof  
04=XX Code  
05=YY Code  
06=XY Code

A=Tray

Housing Color  
B=Black



REV	DATE	MODIFICATION DESCRIPTION	CHANGE	OPERATION	DRAW	DATE	SCALE	FIT	PART NO.
A1	2022/06/22	ADD W1	XSR	x.x ±0.40	XSR	2022/06/22	UNIT	mm	WD3811-2WS03XXBAXX(W)
AO	2021/06/21	NEW	XSR	x.xx ±0.25	CHECK	DATE	SIZE	A4	TITLE: 3.81*7.62mm Dyn. (T Type) Double-deck 180°DIP with Ground strip
				x.xxx ±0.15	APPROVE	DATE	SHEET	1/2	Customer NO.
				Angle ± 3°			PROJ.		
				DIM TOL					

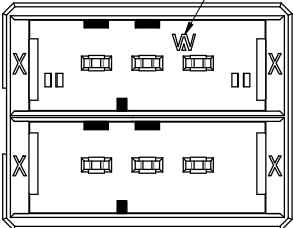
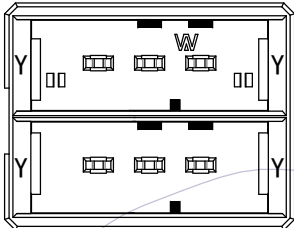
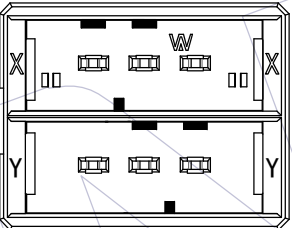
# WCON

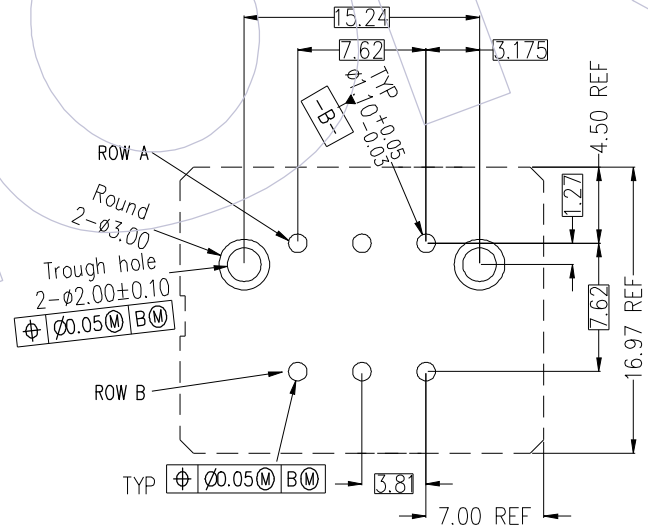
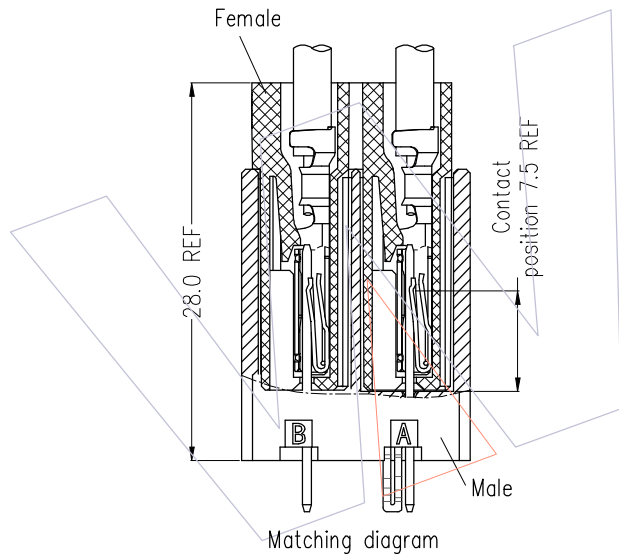
Http: www.wcon.com

WCON-Dongguan  
Tel: +86 769 85358920  
Fax: +86 769 85358915  
E-mail: sales@wcon.com

WCON-Kunshan  
Tel: +86 512 57468408  
Fax: +86 512 57468468  
E-mail: salesks@wcon.com

# HSF

Foolproof No.	XX Code	YY Code	XY Code
2*3P	 WD3811-2WS03XXBA04W	 WD3811-2WS03XXBA05W	 WD3811-2WS03XXBA06W



				OPERATION	DRAW	DATE	SCALE	FIT	PART NO.
				x.x ±0.40	XSR	2022/06/22	UNIT	mm	WD3811-2WS03XXBAX(W)
A1	2022/06/22	ADD W1	XSR	x.xx ±0.25	CHECK	DATE	SIZE	A4	TITLE:
AO	2021/06/21	NEW	XSR	x.xxx ±0.15	APPROVE	DATE	SHEET	2/2	3.81*7.62mm Dyn. (T Type)
REV	DATE	MODIFICATION DESCRIPTION	CHANGE	Angle ± 3°			PROJ.	φ	Customer NO.
				DIM TOL					

## WCON

Http: [www.wcon.com](http://www.wcon.com)

WCON-Dongguan  
Tel: +86 769 85358920  
Fax: +86 769 85358915  
E-mail: [sales@wcon.com](mailto:sales@wcon.com)

WCON-Kunshan  
Tel: +86 512 57468408  
Fax: +86 512 57468468  
E-mail: [salesks@wcon.com](mailto:salesks@wcon.com)