

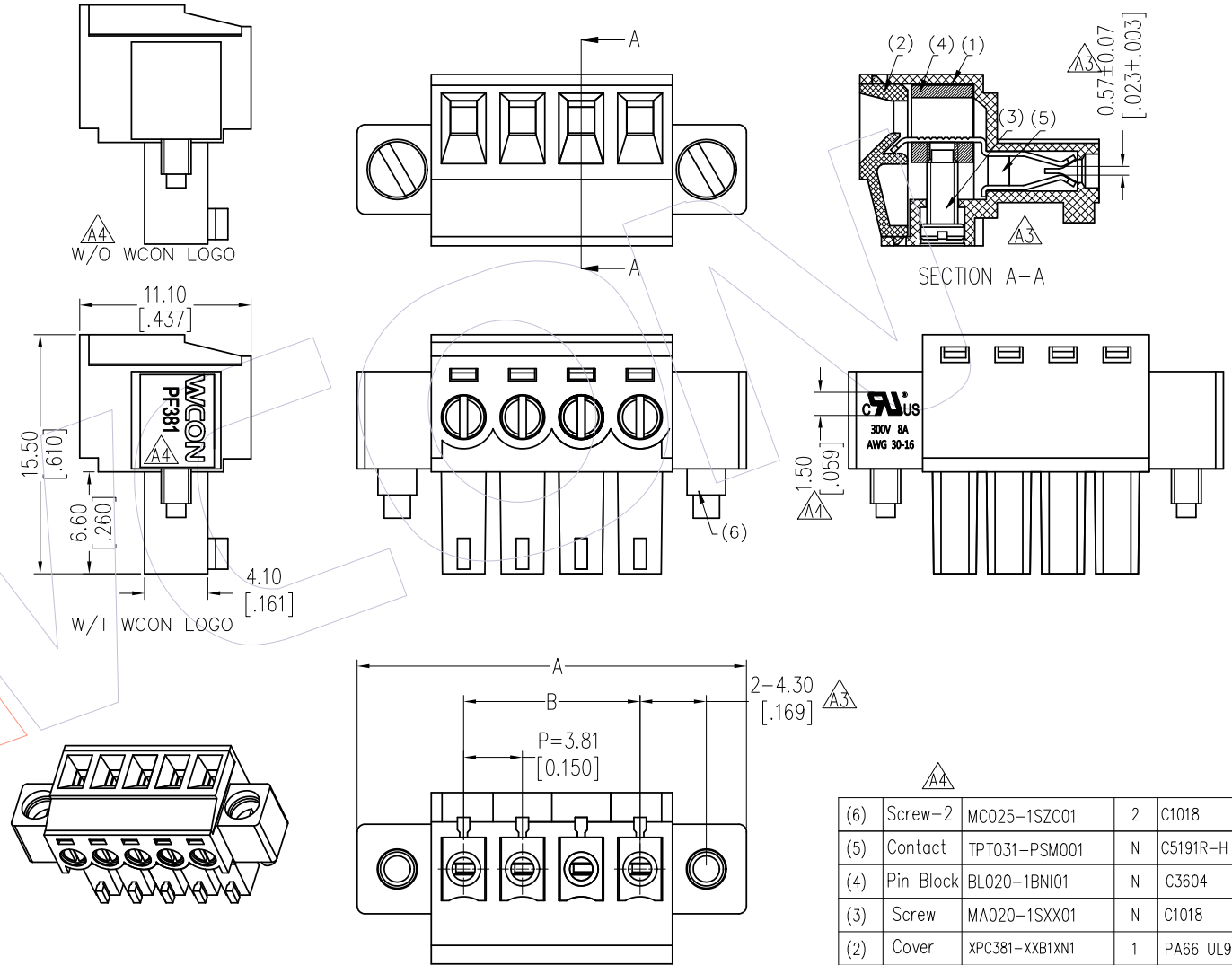
HSF

NOTES:
 Current Rating: 8A
 Voltage Rating: 300V
 Contact Resistance: 8milliohm Max
 Withstand Voltage: AC 1500V
 Insulation Resistance: 1000Megohm Min
 Screw Torque: 2 lbf.in
 Wire range: 16-30AWG
 Operation Temperature: -40℃ to +105℃

Ordering Information:

P F 381 - C XX A SM W 1 N
 F=Female Pitch 381=3.81 No. of Pins 02-20P Contact Plated SM=Matte Tin Blank=W/T WCON Logo N=W/O WCON Logo
 Color A=Green Type W=With Screw

11P	51.90 ±0.30	38.10 ±0.30			
10P	48.09 ±0.30	34.29 ±0.30	20P	86.19 ±0.40	72.39 ±0.40
9P	44.28 ±0.30	30.48 ±0.30	19P	82.38 ±0.40	68.58 ±0.40
8P	40.47 ±0.20	26.67 ±0.20	18P	78.57 ±0.40	64.77 ±0.40
7P ^{A1}	36.66 ±0.20	22.86 ±0.20	17P	74.76 ±0.40	60.96 ±0.40
6P	32.85 ±0.20	19.05 ±0.20	16P	70.95 ±0.40	57.15 ±0.40
5P	29.04 ±0.20	15.24 ±0.20	15P	67.14 ±0.40	53.34 ±0.40
4P	25.23 ±0.20	11.43 ±0.20	14P	63.33 ±0.30	49.53 ±0.30
3P	21.42 ±0.20	7.62 ±0.20	13P	59.52 ±0.30	45.72 ±0.30
2P	17.61 ±0.20	3.81 ±0.10	12P	55.71 ±0.30	41.91 ±0.30
位数	A	B	位数	A	B



ITEM	TITLE	P/N	Q'TY	Material
(6)	Screw-2	MC025-1SZC01	2	C1018
(5)	Contact	TPT031-PSM001	N	C5191R-H T=0.3mm
(4)	Pin Block	BL020-1BNI01	N	C3604
(3)	Screw	MA020-1SXX01	N	C1018
(2)	Cover	XPC381-XXB1XN1	1	PA66 UL94-V0
(1)	Housing	XPF381-XXB1XW1(N)	1	PA66 UL94-V0

REV	DATE	MODIFICATION DESCRIPTION	CHANGE	OPERATION	DRAW	DATE	SCALE	FIT	PART NO.
A4	2020/07/28	ADD LOGO; ADD W/O LOGO P/N	A4	XSR	XSR	2020/07/28	UNIT	mm	PF381-CXXASMW1(N) A4
A3	2018/04/12	Modify terminal ; Add DIM.	A3	XSR	CHECK	DATE	INCH		TITLE:
A2	2015/07/15	Modify	A2	XSR			SIZE	A4	3.81mm Pitch Female
A0	2012/05/14	NEW			APPROVE	DATE	SHEET	1/1	Pluggable Terminal Blocks
							PROJ.		Customer NO.



Http: www.wcon.com

WCON-Dongguan Tel: +86 769 85358920 Fax: +86 769 85358915 E-mail: sales@wcon.com	WCON-Kunshan Tel: +86 512 57468408 Fax: +86 512 57468468 E-mail: salesks@wcon.com
---	--