

# HSF

NOTES:  
 Rated Current: 15 AMP  
 Contact Resistance: 8 mΩ Max  
 Withstand Voltage: 2000 V AC/DC  
 Insulation Resistance: 1000 MΩ min  
 Operation Temperature: -40℃ to +105℃  
 Wire Range: 30~12 AWG  
 Wire Strip Length: 7 mm  
 Screw Counter Torsion Force: 4.4 lbf.in Min.

### Ordering Information:

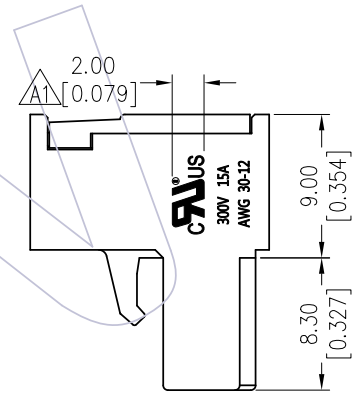
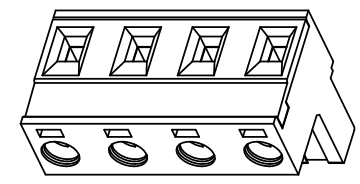
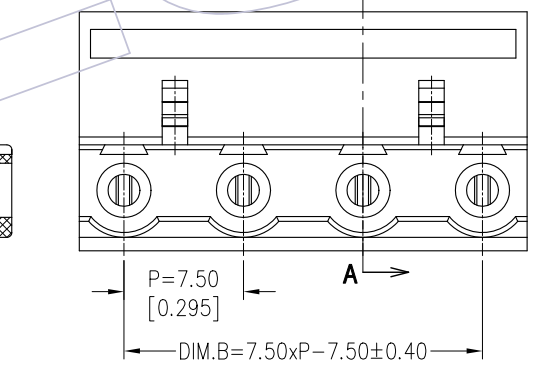
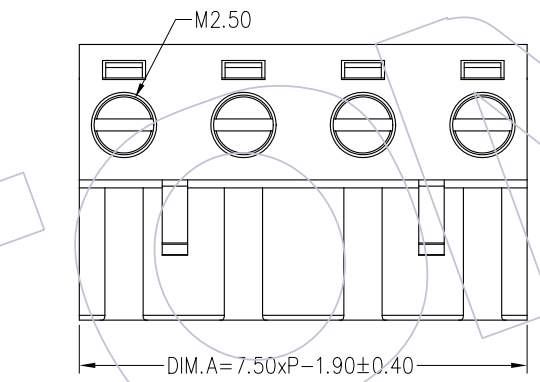
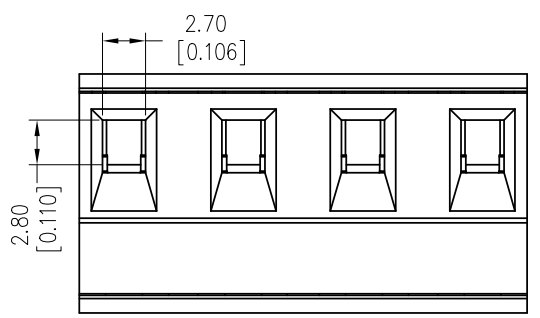
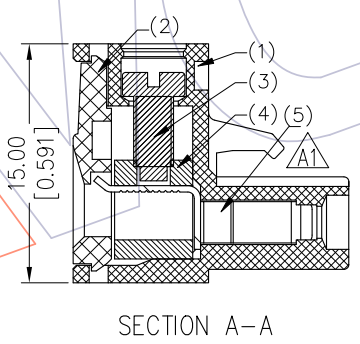
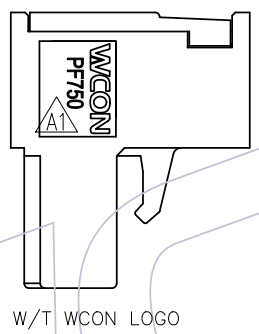
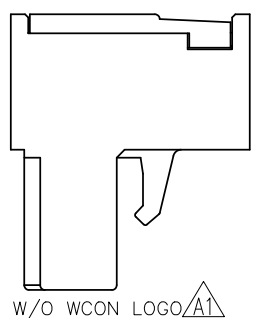
**P F 750 - C XX A SM N 1 N**

F=Female Pitch 750=7.50 No. of Pins 02-20P Contact Plated SM=Matte Tin Blank=W/T WCON Logo N=W/O WCON Logo

Color A=Green N=W/O Type N=Two Side Screw

PIN	DIM.A	DIM.B	PIN	DIM.A	DIM.B
02	7.50	13.10	12	82.50	88.10
03	15.00	20.60	13	90.00	95.60
04	22.50	28.10	14	97.50	103.10
05	30.00	35.60	15	105.00	110.60
06	37.50	43.10	16	112.50	118.10
07	45.00	50.60	17	120.00	125.60
08	52.50	58.10	18	127.50	133.10
09	60.00	65.60	19	135.00	140.60
10	67.50	73.10	20	142.50	148.10
11	75.00	80.60			

REV	DATE	MODIFICATION DESCRIPTION	CHANGE
A1	2020/08/04	ADD UL LOGO; ADD W/O WCON LOGO P/N	XSR
A0	2013/11/08	NEW	Tsingsn



ITEM	TITLE	P/N	Q'TY	Material
(5)	Contact	TPT051-PSM001	N	C5191R-H T=0.4
(4)	Pin Block	BL025-1SNI01	N	C3604
(3)	Screw	MA025-1SXX01	N	C1018
(2)	Cover	HPC750-XXB1AN1	1	PA66 UL94-V0
(1)	Housing	HPF750-XXB1AN1(N)	1	PA66 UL94-V0

OPERATION	DRAW	DATE	SCALE	FIT	PART NO.
X.XX	CHECK	DATE	UNIT	inch	TITLE: 7.50mm Pitch Female Pluggable Terminal Blocks
X.XXX	APPROVE	DATE	SIZE	A4	
Angle			± 3'	SHEET	1/1
DIM	TOL	PROJ.			

Http: www.wcon.com

WCON-Dongguan Tel: +86 769 85358920 Fax: +86 769 85358915 E-mail: sales@wcon.com	WCON-Kunshan Tel: +86 512 57468408 Fax: +86 512 57468468 E-mail: salesks@wcon.com
---	--