

HSF

NOTES:

Current Rating: 10A
 Voltage Rating: 300V
 Contact Resistance: 8milliohm Max
 Withstand Voltage: AC2000V
 Insulation Resistance: 1000Megohm Min
 Operation Temperature: -40°C to +105°C

Housing Material: PA66+30%GF(UL94V-0)
 Contact Material: Brass

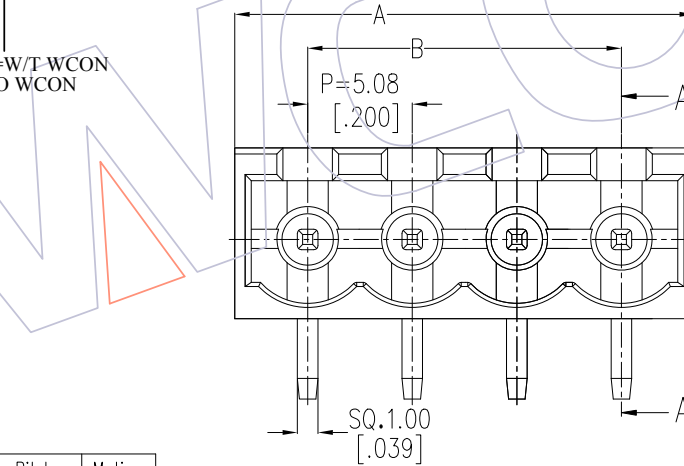
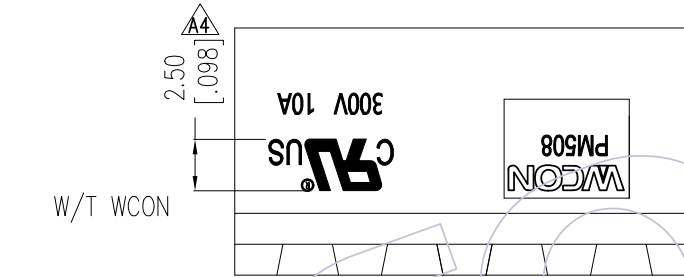
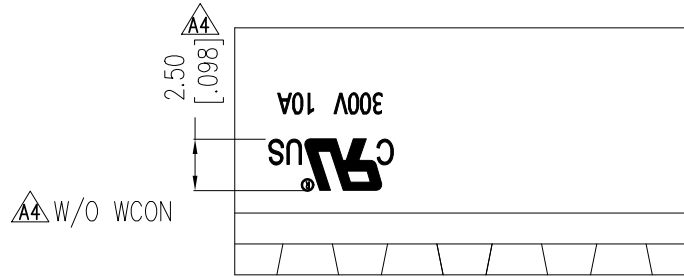
Ordering Information:

P M 508 - 1 R XX X SM 1 N

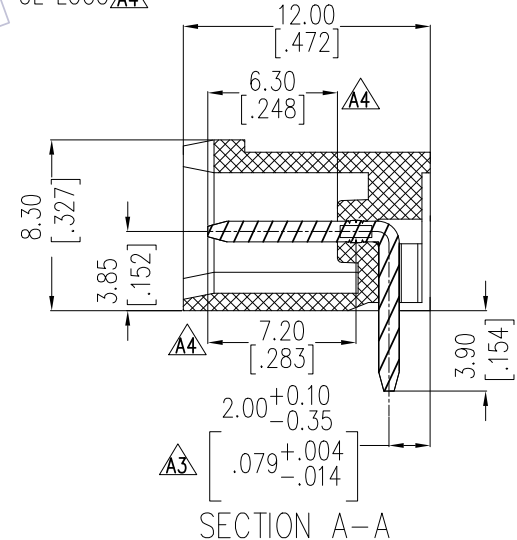
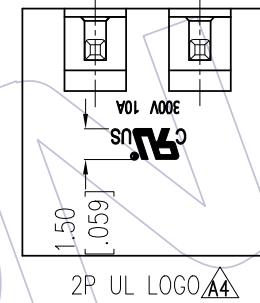
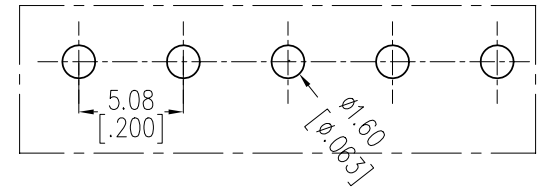
M=Male Pitch 508=5.08
 Color A=Green B=Black G=Grey
 No. of Pins 02-24P
 Contact Plated Blank=W/T-WCON
 SM=Matte Tin N=W/O WCON

| | | | | | |
|-----|-------------|-------------|-----|--------------|--------------|
| 13P | 68.04 ±0.30 | 60.96 ±0.30 | | | |
| 12P | 62.96 ±0.30 | 55.88 ±0.30 | 24P | 123.92 ±0.50 | 116.84 ±0.50 |
| 11P | 57.88 ±0.30 | 50.80 ±0.30 | 23P | 118.84 ±0.50 | 111.76 ±0.50 |
| 10P | 52.80 ±0.30 | 45.72 ±0.30 | 22P | 113.76 ±0.50 | 106.68 ±0.50 |
| 9P | 47.72 ±0.30 | 40.64 ±0.30 | 21P | 108.68 ±0.50 | 101.60 ±0.50 |
| 8P | 42.64 ±0.30 | 35.56 ±0.30 | 20P | 103.60 ±0.50 | 96.52 ±0.50 |
| 7P | 37.56 ±0.20 | 30.48 ±0.20 | 19P | 98.52 ±0.40 | 91.44 ±0.40 |
| 6P | 32.48 ±0.20 | 25.40 ±0.20 | 18P | 93.44 ±0.40 | 86.36 ±0.40 |
| 5P | 27.40 ±0.20 | 20.32 ±0.20 | 17P | 88.36 ±0.40 | 81.28 ±0.40 |
| 4P | 22.32 ±0.20 | 15.24 ±0.20 | 16P | 83.28 ±0.40 | 76.20 ±0.40 |
| 3P | 17.24 ±0.20 | 10.16 ±0.20 | 15P | 78.20 ±0.40 | 71.12 ±0.40 |
| 2P | 12.16 ±0.20 | 5.08 ±0.10 | 14P | 73.12 ±0.40 | 66.04 ±0.40 |
| PIN | A | B | PIN | A | B |

| | | |
|-----------|-------|--------|
| ITEM | Pitch | Mating |
| Standard | 508 | PF508 |
| Alternate | | |



Recommended P.C.B Layout(Top Side)
 (PCB BOARD TOLERANCE±0.05)



| | | | | | | | | | |
|-----|------------|---|--------|-----------------------|---------|------------|-------|------|--|
| A4 | 2020/11/18 | ADD UL LOGO & DIM; ADD W/O WCON SPEC & P/N; A4 | XSR | OPERATION | DRAW | DATE | SCALE | FIT | PART NO. |
| A3 | 2017/12/29 | Modify DIM. 2.0±0.2 to 2.0 ^{+0.10} _{-0.35} A3 | XSR | x.x ±0.40 | XSR | 2020/11/18 | UNIT | mm | PM508-1RXXXSM1(N) A1 A4 |
| A2 | 2013/06/05 | Modify The Housing Material A2 | XSR | x.xx ±0.25 | CHECK | DATE | SIZE | inch | TITLE: |
| A0 | 2011/06/08 | NEW | | x.xxx ±0.15 | APPROVE | DATE | SHEET | 1/1 | 5.08mm Pitch Male Pluggable Terminal Blocks |
| REV | DATE | MODIFICATION DESCRIPTION | CHANGE | Angle ± 3° DIM TOL | | | PROJ. | | Customer NO. |

WCON
 Http: www.wcon.com

WCON-Dongguan
 Tel: +86 769 85358920
 Fax: +86 769 85358915
 E-mail: sales@wcon.com

WCON-Kunshan
 Tel: +86 512 57468408
 Fax: +86 512 57468468
 E-mail: sales@wcon.com