

# HSF

NOTES:  
 Current Rating: 10A  
 Voltage Rating: 300V  
 Contact Resistance: 8milliohm Max  
 Withstand Voltage: AC2000V  
 Insulation Resistance: 1000Megohm Min  
 Operation Temperature: -40°C to +105°C

Housing Material: PA66+30%GF(UL94V-0)  
 Contact Material: Brass  
 Inlay Material: Brass

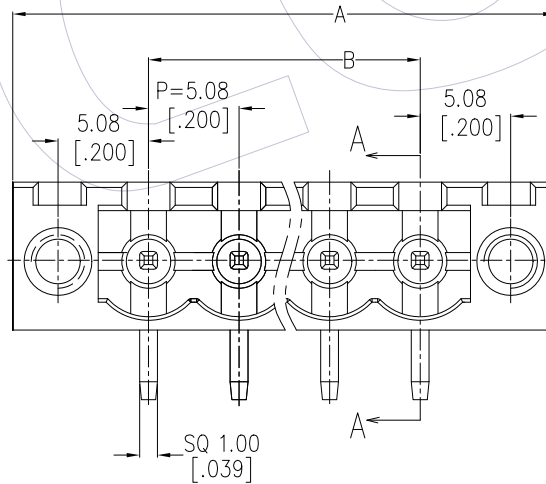
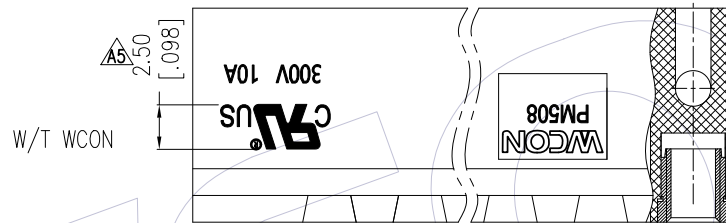
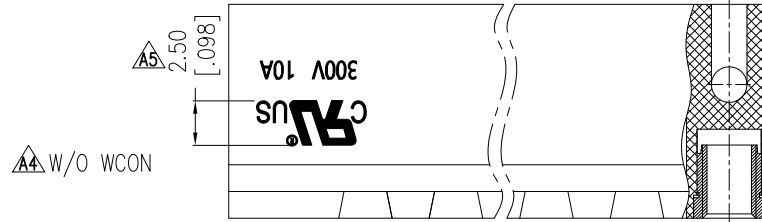
### Ordering Information:

**P M 508 - 1 R XX X SM 2 N**

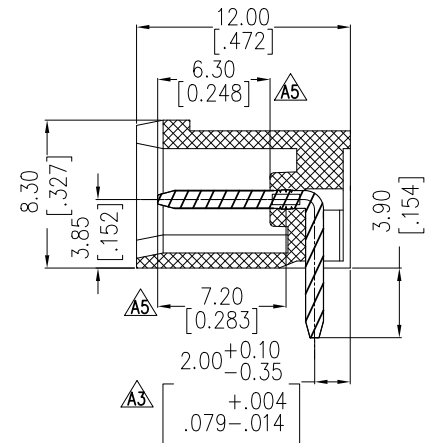
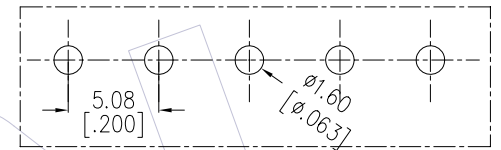
M=Male  
 Pitch 508=5.08  
 No. of Pins 02-24P  
 Color  
 A=Green  
 Y=Yellow  
 R=Red  
 O=Orange  
 U=Blue  
 G=Grey(灰色429C)  
 Contact Plated  
 SM=Matte Tin  
 Series No.  
 Blank=W/T WCON  
 N=W/O WCON

13P	76.20 ±0.30	60.96 ±0.30			
12P	71.12 ±0.30	55.88 ±0.30	24P	132.08 ±0.50	116.84 ±0.50
11P	66.04 ±0.30	50.80 ±0.30	23P	127.00 ±0.50	111.76 ±0.50
10P	60.96 ±0.30	45.72 ±0.30	22P	121.92 ±0.50	106.68 ±0.50
9P	55.88 ±0.30	40.64 ±0.30	21P	116.84 ±0.50	101.60 ±0.50
8P	50.80 ±0.30	35.56 ±0.30	20P	111.76 ±0.50	96.52 ±0.50
7P	45.72 ±0.20	30.48 ±0.20	19P	106.68 ±0.40	91.44 ±0.40
6P	40.64 ±0.20	25.40 ±0.20	18P	101.60 ±0.40	86.36 ±0.40
5P	35.56 ±0.20	20.32 ±0.20	17P	96.52 ±0.40	81.28 ±0.40
4P	30.48 ±0.20	15.24 ±0.20	16P	91.44 ±0.40	76.20 ±0.40
3P	25.40 ±0.20	10.16 ±0.20	15P	86.36 ±0.40	71.12 ±0.40
2P	20.32 ±0.20	5.08 ±0.10	14P	81.28 ±0.40	66.04 ±0.40
PIN	A	B	PIN	A	B

ITEM	Pitch	Mating
Standard	5.08	PF508
Alternate		



Recommended P.C.B Layout(Top Side)  
 (PCB BOARD TOLERANCE ±0.05)



SECTION A-A

REV	DATE	MODIFICATION DESCRIPTION	CHANGE	OPERATION	DRAW	DATE	SCALE	FIT	PART NO.
A5	2020/11/07	ADD UL LOGO & DIM	A5	XSR	OPERATION	2020/11/07	SCALE	FIT	PM508-1RXXXSM2(N) A1 A4
A4	2018/09/12	ADD W/O LOGO P/N	A4	XSR	X.X ±0.40		UNIT	mm	5.08mm Pitch Male Pluggable Terminal Blocks
A3	2017/12/29	Modify DIM. 2.0±0.2 to 2.0 <sup>+0.10</sup> <sub>-0.35</sub>	A3	XSR	X.XX ±0.25	CHECK	SIZE	A4	
A0	2011/06/08	NEW			X.XXX ±0.15	DATE	SHEET	1/1	
					Angle ± 3°	APPROVE	PROJ.	Customer NO.	
					DIM TOL	DATE			

## WCON

Http: www.wcon.com

WCON-Dongguan  
 Tel: +86 769 85358920  
 Fax: +86 769 85358915  
 E-mail: sales@wcon.com

WCON-Kunshan  
 Tel: +86 512 57468408  
 Fax: +86 512 57468468  
 E-mail: salesks@wcon.com