

# HSF

**NOTES:**

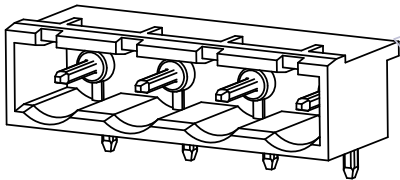
Rated Current:15 AMP  
 Contact Resistance:8.0 milliohm Max  
 Withstand Voltage:2000 V AC/DC  
 Insulation Resistance:1000 Megohm min  
 Operation Temperature: -40℃ to +105℃

Housing Material:PA66+30%GF(UL94V-0)  
 Contact Material:Brass  
 Terminal Plating:  
 Matte Tin Plated Over Nickel

**Ordering Information:**

**P M 750- 1 R XX A SM 1 N**

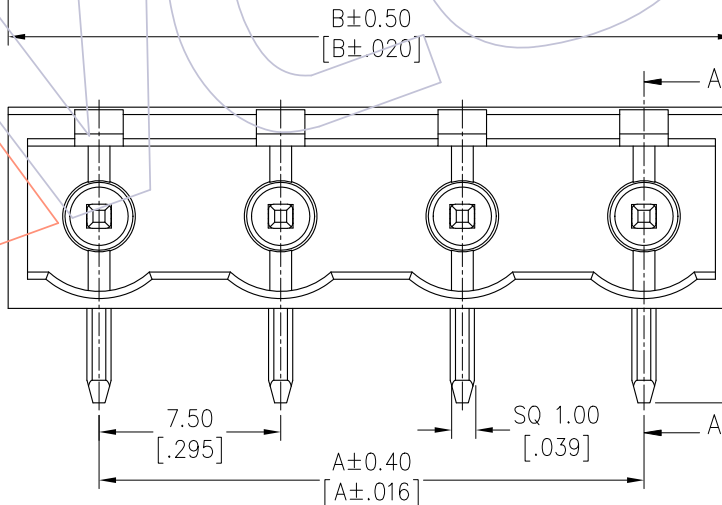
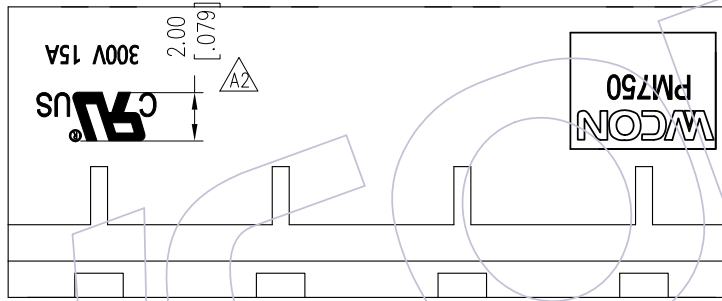
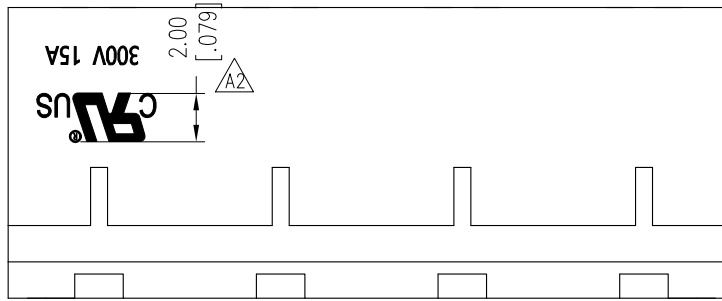
M=Male Pitch 750=7.50 No.of Pins 02-20P Color A=Green Contact Plated SM=Matte Tin Series No. Blank=W/T WCON N=W/O WCON



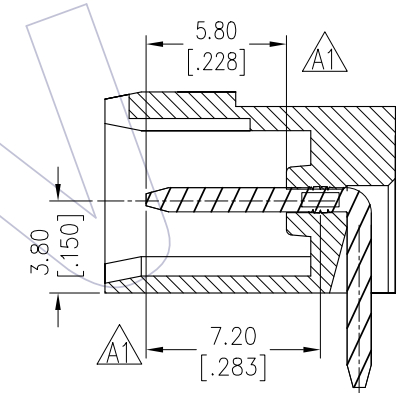
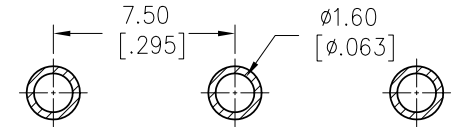
PIN	DIM.A	DIM.B	PIN	DIM.A	DIM.B
02	7.50	15.00	12	82.50	90.00
03	15.00	22.50	13	90.00	97.50
04	22.50	30.00	14	97.50	105.00
05	30.00	37.50	15	105.00	112.50
06	37.50	45.00	16	112.50	120.00
07	45.00	52.50	17	120.00	127.50
08	52.50	60.00	18	127.50	135.00
09	60.00	67.50	19	135.00	142.50
10	67.50	75.00	20	142.50	150.00
11	75.00	82.50			

W/O WCON

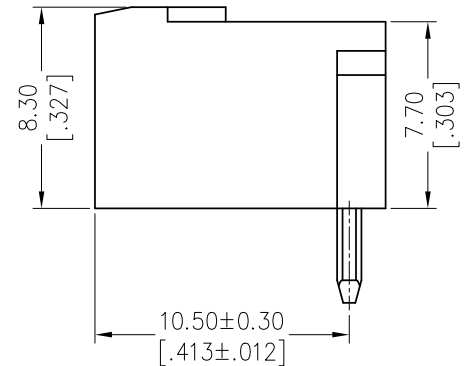
W/T WCON



Recommended P.C.B Layout(Top Side)  
 (PCB BOARD TOLERANCE±0.05)



SECTION A-A



REV	DATE	MODIFICATION DESCRIPTION	CHANGE	OPERATION	DRAW	DATE	SCALE	FIT	PART NO.
A2	2021/02/23	ADD UL Logo;ADD W/O WCON SPEC&P/N	XSR	x.x ±0.40	XSR	2021/02/23	UNIT	mm	PM750-1RXXASM1(N)
A1	2020/10/31	ADD DIM.	XSR	x.xx ±0.25	CHECK	DATE	SIZE	inch	TITLE:
A0	2013/11/06	NEW		x.xxx ±0.15	APPROVE	DATE	SHEET	A4	7.50mm Pitch Male
				Angle ± 3°			PROJ.	1/1	Pluggable Terminal Blocks
				DIM TOL					Customer NO.

**WCON**  
 Http: www.wcon.com

WCON-Dongguan Tel: +86 769 85358920 Fax: +86 769 85358915 E-mail: sales@wcon.com  
 WCON-Kunshan Tel: +86 512 57468408 Fax: +86 512 57468468 E-mail: salesks@wcon.com